

For online reference and to download the manuals for your machines HAULOTTE®, go to :
<https://www.e.technical-information.com>
or, scan the QR Code below :



OPTIMUM 8 - OPTIMUM 1931 E

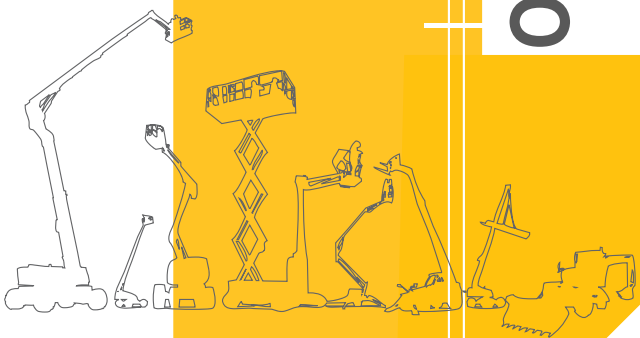
Operator's manual

OPTIMUM 8 OPTIMUM 1931 E

4001058450

E 06 .21

USA / GB



A

FOREWORD

- 1 - User responsibility 8**
 - 1.1- Owner's responsibility 8
 - 1.2- Employer's responsibility 8
 - 1.3- Trainer's responsibility 8
 - 1.4- Operator's responsibility 9
- 2 - Safety 10**
 - 2.1- Safety instructions 10
 - 2.1.1 - Misuse Hazards 10
 - 2.1.2 - Falling Hazards 11
 - 2.1.3 - Overturning / Tip-over Hazards 12
 - 2.1.4 - Electric Shock Hazards 14
 - 2.1.5 - Explosion / Fire Hazards 15
 - 2.1.6 - Crushing / Collision Hazards 16
 - 2.1.7 - Uncontrolled movement Hazards 17
- 3 - Safety inquiries 18**
- 4 - Incident notification 18**
- 5 - Compliance 19**
 - 5.1- Product modification 19
 - 5.1.1 - Implementing manufacturer safety campaigns 19
 - 5.2- Product specifications 20
 - 5.3- Change of Ownership Notification 20
 - 5.4- Declaration of conformity 21

B

FAMILIARIZATION

- 1 - General safety 23**
 - 1.1- Intended use 23
 - 1.2- Decal content 24
 - 1.3- Symbols and colors 26
 - 1.4- Level of severity 27
 - 1.5- Symbols legend and definitions 28
- 2 - Models description 29**
- 3 - Primary machine components 30**
 - 3.1- Layout 30
 - 3.2- Maintenance support 32
 - 3.3- Extension deck 33
 - 3.4- Ground control box 34
 - 3.4.1 - Layout 34
 - 3.4.2 - HAULOTTE Activ'Screen 35
 - 3.4.2.1 - LCD screen 36
 - 3.5- Platform control box 40
 - 3.5.1 - Layout 40
- 4 - Performance Specifications 42**
 - 4.1- Technical characteristics 42
 - 4.2- Working area / Range of motion 43
- 5 - Decals and markings locations 44**

CONTENTS



C

PRE-OPERATION INSPECTION

1 - Recommendations	53
2 - Working area assessment	53
3 - Inspection and Functional test	54
3.1- Daily inspection	54
4 - Safety functional checks	57
4.1- E-Stop button check	57
4.2- Activation of controls	57
4.3- Fault detector	58
4.3.1- Buzzers test	58
4.4- Overload sensing system	58
4.5- Slope warning device	59
4.6- Travel speed limitation	59
4.7- Electronic variable speed drive	59
4.8- Machine braking	59
4.9- Wheel motor brake release	60
4.10- Pothole protection system	60
4.11- On-board charger	60
4.12- Anti-crush system when lowering	60

D

OPERATION INSTRUCTIONS

1 - Operation	61
1.1- Introduction	61
1.2- Operation from the ground control box	61
1.3- Operation from the platform control box	63
2 - Ground control box	64
2.1- To start and stop the machine	64
2.2- Movement control	64
2.3- Additional controls from the ground control box	65
3 - Platform control box	66
3.1- To start and stop the machine	66
3.2- Drive and steer control	67
3.3- Movement control	68
4 - Rescue and emergency procedures	69
4.1- In case of power loss	69
4.2- To rescue operator in platform	69



CONTENTS

- 5 - Transportation 70**
 - 5.1- Putting in transport position 70
 - 5.2- Machine layout - OPTIMUM 8 - OPTIMUM 1931E 70
 - 5.3- Unloading 71
 - 5.4- Towing 71
 - 5.4.1 - Free wheel mode 72
 - 5.5- Storage 73
 - 5.6- Loading by ramp 74
 - 5.7- Unloading by ramp 74
 - 5.8- Lifting operation 75
 - 5.9- Loading and unloading with forklift 76
- 6 - Cold Weather Recommendations 77**
 - 6.1- Environmental conditions 77
 - 6.1.1 - Hydraulic oil 77
- 7 - Battery care and maintenance 78**
 - 7.1- Battery recharge 78
 - 7.1.1 - On-board charger 78
 - 7.1.2 - Battery charging 80
 - 7.2- Battery care and maintenance 82
 - 7.2.1 - Filling batteries 82
 - 7.2.1.1 - Procedure to fill the batteries manually – Option 82
 - 7.2.1.2 - Procedure to fill the batteries automatically – Option 85
 - 7.2.2 - Desulfation charge 86
 - 7.3- Optimise battery life 87

E

GENERAL SPECIFICATIONS

- 1 - Machine dimensions 90**
- 2 - Major component masses 92**
- 3 - Acoustics and vibrations 92**
- 4 - Wheel/Tire assembly 93**
 - 4.1- Technical specifications 93
 - 4.2- Inspection and maintenance 93
 - 4.2.1 - Procedure of replacement 94
- 5 - Options 97**
 - 5.1- Pipe holder option 97
 - 5.1.1 - Description 97
 - 5.1.2 - Characteristics 97
 - 5.1.3 - Safety precautions 97
 - 5.1.4 - Pre-operation inspection 98
 - 5.1.5 - Operation 98
 - 5.1.6 - Disassembly - Assembly 99
 - 5.1.7 - Specific decals 100
 - 5.2- Folding guardrails 101
 - 5.2.1 - Description 101
 - 5.2.2 - Safety precautions 101
 - 5.2.3 - Fold down operation 102
 - 5.2.4 - Specific decals 105
 - 5.2.5 - Raising guardrails to working position 105



5.3-	Panel carrier	106
5.3.1-	Description	106
5.3.2-	Characteristics	106
5.3.3-	Safety precautions	106
5.3.4-	Pre-operation inspection	107
5.3.5-	Operation	107
5.3.6-	Disassembly - Assembly	108
5.3.7-	Specific decals	111
5.4-	Swing gate	112
5.4.1-	Description	112
5.4.2-	Characteristics	112
5.4.3-	Safety precautions	112
5.4.4-	Pre-operation instructions	112

F

MAINTENANCE

1 - General	113
2 - Maintenance Schedule	114
3 - Inspection program	115
3.1- General program	115
3.2- Daily inspection	115
3.3- Periodic inspection	116
3.4- Reinforced inspection	116
3.5- Major inspection	116
4 - Repairs and adjustments	117

G

OTHER INFORMATION

1 - Conditions of warranty	119
2 - Subsidiary contact information	120
2.1- California warning	121

H

INTERVENTION REGISTER

1 - Intervention register	123
--	------------



A - Foreword

You have just purchased a HAULOTTE® product and we would like to thank you for your business.

The aerial work platform is a device for lifting people designed and manufactured with the intent to enable users to access overhead elevated temporary workplaces with the necessary tools and equipment. All other uses or alterations/modifications to the aerial work platform must be approved by HAULOTTE®.

This manual shall be considered a permanent component of the machine and shall be kept with the aerial work platform in the designated Manual Holder, at all times.

Safe operation of this product can only be assured if you follow the operating instructions contained in this manual. To ensure proper and safe use of this equipment, it is strongly recommended that only trained and authorized personnel operate and maintain the aerial work platform.

We would particularly like to draw your attention to 2 essential points :

- Comply with safety instructions.
- Use the equipment within the specified/published performance limits.

With regard to the designation of our equipment, we stress that this is purely for commercial purposes and not to be confused with the technical specifications. Only the specifications in this manual should be used to study the suitability of the equipment for the intended use.

This operator's manual is specific to the HAULOTTE® products listed on the cover page of this manual.



Original language and version :

Manuals in English and French are the original instructions. Manuals in other languages are translations of the original instructions.

The operator's manual does not replace the basic training required for equipment operators. HAULOTTE® has compiled this manual to assist in safe and efficient operation of the products covered in the manual.

The manual must be available to all operators and must be kept in a legible condition. Additional copies can be ordered from HAULOTTE Services®.

Stay Safe and keep working with HAULOTTE® !

For online reference and to download the manuals for your machines HAULOTTE®, go to :
<https://www.e.technical-information.com>
or, scan the QR Code below :



A - Foreword

1 - User responsibility

1.1 - OWNER'S RESPONSIBILITY

The owner (or hirer) has the obligation to :

- To inform operators of the instructions contained in the Operator's Manual.
- Follow local regulations regarding operation of the machine.
- To replace all manuals or decals that are either missing or not legible. Additional copies can be ordered from HAULOTTE Services®.
- To establish a preventive maintenance program in accordance with the manufacturer's recommendations, taking into account the environment and severity of use of the machine.
- To perform periodic inspections in accordance with HAULOTTE® recommendations and local regulations.

All malfunctions and problems identified during the inspection shall be corrected before the aerial work platform is returned to service.

1.2 - EMPLOYER'S RESPONSIBILITY

The employer has the obligation :

- To authorize the operator to use the machine.
- To inform and familiarize the operator with the local regulations.
- Forbid anyone from operating the machine if :
 - Under the influence of drugs, alcohol, etc.
 - Subject to fits, loss of motor skills, dizziness, etc.

1.3 - TRAINER'S RESPONSIBILITY

The trainer must be qualified to provide training to operators in accordance with applicable local regulations. The training must be given in an obstacle-free area until the trainee is considered competent as defined by the training program undertaken.

A - Foreword

1.4 - OPERATOR'S RESPONSIBILITY

The operator has the obligation to :

- Read and understand the contents of this manual and familiarize himself/herself with the decals affixed on the machine.
- To inspect the machine before use according to HAULOTTE®'s recommendations..
- Inform the owner (or hirer) if the manual or any decals are missing or are not legible.
- To inform of any malfunctioning of the machine.

Operators must ensure that the inspections have been carried out by the owner and that they can use the machine for the purpose intended by the manufacturer.

Only authorized and qualified operators may operate HAULOTTE® machines.

All operators must become familiar with and fully understand the emergency controls and be able to operate the machine in an emergency.

The operator has the obligation to stop using the machine in the event of malfunction or safety problems on the machine or in the work area and report the problem immediately to his/her supervisor.

A

B

C

D

E

F

G

H

I

A - Foreword

2 - Safety

2.1 - SAFETY INSTRUCTIONS

2.1.1 - Misuse Hazards

- Do not use the machine for other purposes than to lift people, their tools and equipment to the desired position.
- Do not use the machine as a crane, material lift or elevator. Only use the machine as it was intended.
- Do not attach overhanging loads when raising or lowering the platform.
- Do not tie the platform to an adjacent fixed or mobile structure.
- Do not use/operate the machine when alone. A survey person or immediate Supervisor must be present on the ground in case of emergency.
- Do not use a faulty or poorly maintained machine. Remove defective/damaged machine from service.
- Do not climb onto the compartment covers of the machine.
- Do not replace items critical to machine stability with items of different weight or specification.
- Do not replace factory-installed tires with tires of different specifications or ply rating.
- Do not alter or disable machine components that in any way affect safety and stability.
- Do not disable the safety devices.
- Do not deface, modify or obscure any decals or markings on the aerial work platform.



A - Foreword

2.1.2 - Falling Hazards

To enter or exit from the platform :

- The machine must be completely stowed.
- Face the machine to access the entry opening to the platform.
- Keep 3 points of contact (both hands and a foot) on the steps and the guardrail.
- Keep fingers away from moving parts near entry gate.



Before commencing operation :

- Ensure that guard rails are correctly installed and secured.
- Ensure that gate or sliding bar is in its securely locked position.
- If using a machine that has a swing gate, check that the entry gate closes by itself and gate latches and locks.



- Remove oil or grease from the steps, floor, handrail and the guardrails.
- Clean the floor of the platform (no debris).

When in the platform :

- If local regulations require the wearing of a harness, use only the anchor points provided for this purpose.
- The correct use of the harness requires the lanyard to be connected to an anchorage point designated by the decals. Refer to this decal located on the platform.
- Hold on securely to the guardrails.
- Always keep your feet firmly on the floor of the platform.
- Do not sit, stand, or climb on the platform guard rails.
- Do not lean on the gate or sliding bar.
- Do not lean over the guard rails or climb over them. Only work in the platform area within the guard rails.
- Do not exit the platform until it is in the completely stowed position.
- Do not use the guardrail as a means of access to climb in or out of the platform.



A- Foreword

2.1.3 - Overturning / Tip-over Hazards

Before positioning and operating the machine :


- Ensure that the surface is capable of supporting the machine weight including the rated capacity.
- Do not exceed the maximum rated capacity that includes the weight of both material and allowed number of occupants. Do not exceed the allowable number of occupants.
- Do not increase the working height (using extensions, ladder, etc.).
- Do not place ladders or scaffolds in the platform or against any part of this machine.
- Place the loads uniformly distributed on the platform floor.
- Do not use the machine in winds exceeding the permissible limit.
- Do not increase the surface area of the platform exposed to wind. This includes adding panels, mesh, banners. Be aware when working with materials with a large surface area. This will add to the wind load on the machine.
- Do not raise the platform or drive with platform elevated on an incline exceeding the rated slope for the machine.
- Do not drive the machine on slopes or grades exceeding the specified limits.
- Do not replace components critical to stability with components of different weight or specification.
- Never use the machine with material or objects suspended from the guard-rail.
- Do not pull or push towards any object outside of the platform. Do not exceed the maximum allowable side force stated in the performance specifications.
- Do not use the machine to support any external structure.
- Do not use the machine to tow other machines or to drag materials.



A - Foreword

- Using a machine on a slope :



Do not drive the machine on slopes with gradients exceeding the authorised transversal and lateral limits for the machine.  Section B 4.1 - Technical specifications.

WIND : The aerial work platform can operate up to a maximum wind speed as indicated in the specifications. To identify the local wind speed, use the Beaufort scale below, use a wind gauge or an anemometer.

N.B.-:-THE BEAUFORT SCALE OF WIND FORCE IS ACCEPTED INTERNATIONALLY AND IS USED WHEN COMMUNICATING WEATHER CONDITIONS. A WIND SPEED RANGE AT 10 M (32 FT 9 IN) ABOVE FLAT, CLEAR LAND IS ASSOCIATED WITH EACH DEGREE.

Beaufort scale

Force	Meteorological description	Observed effects	m/s	km/h	mph
0	Calm	Smoke rises vertically.	0 - 0,2	0 - 1	0 - 0,62
1	Very light breeze	Smoke indicates the wind direction.	0,3 - 1,5	1 - 5	0,62 - 3,11
2	Light breeze	Wind felt on the face. Leaves rustle. Weather vanes turn.	1,6 - 3,3	6 - 11	3,72 - 6,84
3	Slight breeze	Leaves and small twigs in constant motion. Flags move slightly.	3,4 - 5,4	12 - 19	7,46 - 11,8
4	Nice breeze	Raised dust and loose papers. Small branches are moved.	5,5 - 7,9	20 - 28	12,43 - 17,4
5	Nice breeze	Small trees in leaf to sway. Crested wavelets form on inland waterways.	8,0 - 10,7	29 - 38	18,02 - 23,6
6	Cool wind	Large branches in motion. Power lines and chimneys 'sing'. Umbrellas used with difficulty.	10,8 - 13,8	39 - 49	24,23 - 30,45
7	Near gale	Whole trees in motion. Inconvenience felt when walking against wind.	13,9 - 17,1	50 - 61	31 - 37,9
8	Gale	Some branches break. Generally we cannot walk against the wind.	17,2 - 20,7	62 - 74	38,53 - 45,98
9	Strong gale	The wind causes slight damage to buildings. Tiles and chimney stacks are blown off.	20,8 - 24,4	75 - 88	46,60 - 54,68

A- Foreword

2.1.4 - Electric Shock Hazards

The machine is not electrically insulated and does not provide protection from contact or proximity to electrically charged conductors.

Always position the lift at a safe distance from electrically charged conductors to ensure that no part of the machine is within an unsafe area.

Respect the local rules and the minimum safety distance from power lines.

Minimum safe approach distances

Electric voltage	Minimum safety distance	
	Mètre	Feet
0 - 300 V	Avoid contact	
300 V - 50 kV	3	10
50 - 200 kV	5	15
200 - 350 kV	6	20
350 - 500 kV	8	25
500 - 750 kV	11	35
750 - 1000 kV	14	45

N.B.-:-USE THIS TABLE EXCEPT WHERE LOCAL REGULATIONS INDICATE OTHERWISE.

- Do not operate the machine when close to live power lines, consider the movement of the machine and the sway of the electric power lines particularly in windy conditions.
- Do not operate the machine during lightning, thunderstorms, snow/ice or any weather condition that could compromise operator safety.
- The machine must not be used while charging the batteries.
- When using the platform AC power supply, ensure it is protected with a circuit breaker and residual current device.
- Do not use the machine as a ground for welding.
- Do not weld on the machine without first disconnecting the battery terminals.
- Always disconnect ground cable first.



Keep away from the machine if it contacts energized power lines. Personnel on the ground or in the platform must not touch or operate the machine until energized power lines are shut off.



A - Foreword

2.1.5 - Explosion / Fire Hazards

Always wear protective clothing and eye wear when working with batteries and power sources/systems.

N.B.-:ACID IS NEUTRALIZED WITH SODIUM BICARBONATE AND WATER.

- Do not work on or operate a machine in an explosive or flammable atmosphere / environment.
- Do not touch hot components.
- Do not bridge the battery terminals with metallic objects.
- Do not service the battery in proximity of spark, open flame, lit cigarettes.
- ALWAYS avoid contact with battery acid. Battery acid causes serious burns and should be kept away from skin or eyes. If contact occurs, flush with water and consult a physician immediately.



A

B

C

D

E

F

G

H

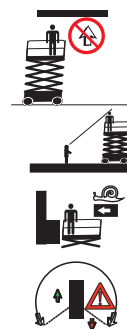
I

A- Foreword

2.1.6 - Crushing / Collision Hazards

When in the platform :

- Check the work area for overhead clearance, for any obstacles besides and below the platform when raising/lowering the platform and or before driving.
- During movement, keep all the parts of the body inside the platform. Hold onto the guardrails on the opposite side to any surrounding structures. Take care to avoid trapping hands whilst holding the guardrails.
- To position machine close to a building/structure, use extension deck feature, instead of driving machine closer to structure.
- Always cordon off the area around the base of the machine to keep personnel and other equipment away from the machine while in use.
- Warn personnel not to work, stand, or walk under a raised boom/platform.
- Do not drive in reverse direction (opposite the field of vision).
- Always ensure that the chassis is never kept any closer than 1 m (3 ft 3 in) to holes, bumps, slopes, obstructions, debris and ground coverings that may hide holes and other dangers.
- Keep non-operating personnel at least 5 m (16 ft 5 in) away from the machine when driving.
- Be aware of driving direction.
 - Check the driving direction with the help of the red or green arrow on the chassis relative to the red and green arrows on the platform control box.
 - Also note that when changing the driving direction (Forward <> Reverse) the joysticks or switches must return to the neutral position before reversing the drive direction and for movement to occur.
- When driving, position the platform so as to provide the best possible visibility and to avoid any blind spots.
- Hold on securely to the guardrails.



A - Foreword

- Personal fall protection equipment (PFPE) :
 - Occupants must wear a safety harness, personal protective equipment and comply with the applicable national regulations. Attach the safety harness lanyard to the designated anchorage points provided for this purpose on the work platform.
 - Operators must comply with the safety standards of the job site and the employer, as well as the applicable state regulations relating to the use of personal protective equipment.
 - All personal fall protection equipment (PFPE) must comply with current regulations, must be inspected and used in accordance with the manufacturer's instructions.
- Avoid contact with fixed or mobile obstacles (other machines).
- Other machines (crane, aerial work platform, etc.) operating in the work area increase the risk of crushing or collision. Restrict the operation of machines moving within the aerial work platform work area.
- Take into consideration the stopping distance, reduced visibility and blind spots of the machine.
- Limit travel speed to suit the ground surface condition, slope (incline), and people in the vicinity.

2.1.7 - Uncontrolled movement Hazards

Never use a damaged or malfunctioning machine.

Always respect the following rules :

- Maintain clearance from high voltage lines.
- Maintain clearance from generators, radar, electromagnetic fields.
- Never expose the batteries or electrical components to water (high pressure washer, rain).

A - Foreword

3 - Safety inquiries

Inquiries relating to design criteria/specifications of a product, standards compliance, or overall machine safety should be sent to the HAULOTTE® PRODUCT SAFETY department.

Each inquiry or request should include all relevant information; including contact name, telephone number, mailing address, email address, plus the machine model and serial number.

The HAULOTTE® Product Safety department will evaluate each request/inquiry and will provide a written response.

4 - Incident notification

Notify HAULOTTE® immediately when a HAULOTTE® product has been involved in an incident/accident leading to personal injury or death, or when there is a major property damage.

<p>HAULOTTE Group - EUROPE Product Safety Department</p> <p>Address : Rue Emile Zola - 42420 Lorette - France</p> <p>Tel : +33 (0)4 77 29 24 24</p> <p>Email : productsafety.europe@haulotte.com</p>	<p>HAULOTTE Group - Australia, India and Asia Product Safety Department</p> <p>Address : No.26 Changi North Way - Singapore 498812 - Singapore</p> <p>Tel : +65 6546 0123</p> <p>Email : productysafety.apac@haulotte.com</p>	<p>HAULOTTE Group - North & South America Product Safety Department</p> <p>Address : 3409 Chandler Creek Rd. - Virginia Beach, VA 23453 - United States</p> <p>Tel : +1 757 689 2146</p> <p>Email : productsafety.americas@haulotte.com</p>
--	---	---

Connect to our website : www.haulotte.com



A - Foreword

5 - Compliance

5.1 - PRODUCT MODIFICATION

It is strictly forbidden to modify a HAULOTTE® product. Any modification may violate Haulotte design parameters, local regulations and industry standards.

All modifications must be submitted in writing (form) and approved by the manufacturer.

Do not hesitate to contact HAULOTTE Services®, should you have any questions relating to the issued bulletin(s) or with questions on the policy itself.

5.1.1 - Implementing manufacturer safety campaigns

It is essential to implement the safety campaigns issued by the manufacturer. All of these campaigns are accessible on our website.

Connect to our website : www.haulotte.com



Never place a machine on the market without completing all the Safety Campaigns.

A- Foreword

5.2 - PRODUCT SPECIFICATIONS

HAULOTTE® cannot be held liable for any changes to the technical characteristics/specifications contained in this manual. HAULOTTE® has a continuous improvement policy in place for its product range. Given this policy, the Company reserves the right to modify products technical characteristics / specifications without notice.

Certain options/accessories can modify the machine's operating characteristics and its' associated safety. If your machine was originally delivered with options fitted, replacing a safety component associated with a particular option does not require any particular precaution other than those associated with the installation itself (static test).

Otherwise, it is essential to follow the manufacturer's recommendations as stated below :

- Installation by authorised HAULOTTE® personnel only.
- Update the manufacturer's identification plate.
- Have stability tests carried out by a certified agency/competent person.
- Ensure decals are updated.

5.3 - CHANGE OF OWNERSHIP NOTIFICATION

It is important and necessary to keep HAULOTTE Services® updated with current ownership of the machine. This way, HAULOTTE® will be able to provide the necessary support for the product. If you have sold or transferred this machine(s); it is your responsibility to notify HAULOTTE Services®. It is not required to include Lessees/Renters of Leased/Rented machines on this form.

Connect to our website : www.haulotte.com




A - Foreword

5.4 - DECLARATION OF CONFORMITY




CE Declarations of Conformity only apply to machines that are certified for the European market.

Declaration of conformity - Electric platforms



DECLARATION CE DE CONFORMITE
(EC DECLARATION OF CONFORMITY)



<p>Fabricant et personne autorisée à constituer le dossier technique : <i>(Manufacturer and the person authorised to compile the technical file:)</i></p> <p>HAULOTTE GROUP</p> <p>Adresse du site de production <i>(Address of the Division)</i></p> <p>en conformité avec le modèle type <i>(In compliance with the Model Type)</i></p> <p>Nom commercial <i>(Commercial name)</i></p> <p>Numéro de série <i>(Serial number)</i></p> <p>Organisme notifié <i>(Notified body)</i></p> <p>Numéro de certificat <i>(Certificate number)</i></p> <p>Charge maximale d'utilisation <i>(Rated capacity)</i></p>	<p>Compliance & Regulation Director HAULOTTE GROUP S.A. RUE EMILE ZOLA 42420 LORETTE FRANCE</p> <p>Nacelle élévatrice de personnel <i>(Mobile Elevating Work Platform)</i></p> <p>Modèle type de la machine concernée <i>(Type model of the concerned machine)</i></p> <p>Nom commercial de la machine concernée <i>(Commercial name of the concerned machine)</i></p> <p>Numéro de série de la machine concernée <i>(Serial number of the concerned machine)</i></p> <p>Nom et adresse de l'organisme notifié <i>(Name and address of the notified body)</i></p> <p>Numéro de certificat du type de machine <i>(Certificate number of the type of machine)</i></p> <p>Charge maximale d'utilisation de la machine concernée <i>(Rated capacity of the concerned machine)</i></p>
--	--

Nous déclarons que cette machine est conforme aux dispositions des Directives suivantes
(We hereby declare that this machine conforms with all the relevant provisions of the Directives listed below)

Directive CE Machine <i>(EC Machinery Directive)</i>	2006/42/CE
Se conforme aux principales exigences de la norme harmonisée <i>(This machine also fulfills the principles of the harmonized standard)</i>	EN280:2013 + A1:2015
Directive CE concernant la compatibilité électromagnétique <i>(EC Directive on electromagnetic compatibility)</i>	2014/30/EU
Directive CE RED concernant les équipements radioélectriques (si machine équipée) <i>(RED EC Directive on radio electrical equipment (if machine equipped))</i>	2014/53/EU

Cette déclaration porte exclusivement sur la machine dans l'état où elle a été placée sur le marché
(This declaration relates exclusively to the machinery in the state in which it was placed on the market)

Toute modification de la machine décrite ci-dessus a pour effet d'invalider cette déclaration
(Any modification to the above described machine violates the validity of this declaration)

Nom et signature du Directeur du site de production <i>(Name and signature of the Division Director)</i>	Lieu <i>(Place)</i>
	Date <i>(Date)</i>

haulotte.com

B - Familiarization

1 - General safety

1.1 - INTENDED USE

Do not operate the product in the following situations :

- On soft, unstable or cluttered ground.
- With wind blowing faster than the permissible limit :
 - Check the allowable wind speed specified in the performance specifications tabulation.
 - Consult the Beaufort scale.
- Close to power lines. Keep a safe distance.
- If the machine is stored at a temperature out of range - 20°C / + 50°C (- 4°F / + 122°F).
- In an explosive atmosphere / environment.
- During storms.
- In the presence of strong electromagnetic fields.

N.B.-:USE THE MACHINE UNDER "NORMAL" CLIMATIC CONDITIONS. IF YOU NEED TO USE THE MACHINE IN CLIMATIC CONDITIONS LIKELY TO CAUSE DETERIORATION (EXTREME : HUMIDITY, TEMPERATURES, SALINITY, CORROSIVENESS, ATMOSPHERIC PRESSURE), CONTACT HAULOTTE SERVICES®. REDUCE INTERVALS BETWEEN SERVICING.

N.B.-:WHILE THE MACHINE IS NOT IN USE, CARE MUST BE TAKEN TO BRING THE MACHINE TO THE FULLY STOWED POSITION. ENSURE THAT THE MACHINE IS LOCKED IN A SECURE LOCATION, AND THE CONTROL KEY IS REMOVED TO PREVENT UNAUTHORISED USE OF THE MACHINE.

B- Familiarization

1.2 - DECAL CONTENT

Decals are provided to alert the user of hazards inherent with the Aerial Work Platforms.

Decals provide the following information :

- The level of severity.
- The specific hazard.
- A method to avoid, suppress or reduce the hazard.
- Descriptive text (where required).

Familiarize yourself with the decals and the hazard severity levels.

Decals must be kept in good legible condition.

Familiarize yourself with the decals and their respective color codes.

Additional decals can be ordered from HAULOTTE Services®.

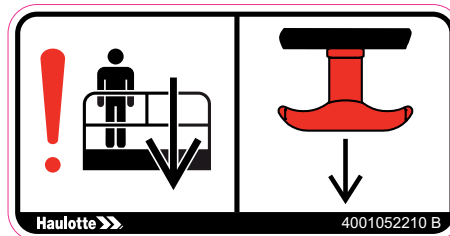
**C E , A S a n d E A C s t a n d a r d s - L a b e l w a r n i n g
r i s k**



Marking	Description
1	Pictorial panel with safety alert symbol or with hazard description pictorial enclosed by safety alert triangle
2	Message panel

B- Familiarization

CE, AS and EAC standards - Label informing about an important function of the machine



ANSI and CSA standards










Marking	Description
1	Hazard symbol
2	Level of severity
3	Avoidance symbol pictorial
4	Avoidance text

B- Familiarization

1.3 - SYMBOLS AND COLORS

Symbols and colors are used to alert the operator of safety precautions and/or to highlight important safety information.

The following safety symbols are used throughout this manual to indicate specific hazards and the hazard severity level when operating or maintaining the Aerial Work Platform.

Symbol	Description
	Danger : Risk of injury or death
	Caution : Risk of material damage
	Prohibited action
	Reminder to use good practice or follow pre-operation checks
	Cross-reference to another part of the manual
	Cross-reference to another manual
	Cross-reference to repair (contact HAULOTTE Services®)
N.B. :	Additional technical information

B- Familiarization

1.4 - LEVEL OF SEVERITY




































Color	Title	Description
		Danger : Indicates a hazardous situation which if not avoided, WILL result in death or serious injury.
		Warning : Indicates a hazardous situation which if not avoided, COULD result in death or serious injury.
		Caution : Failure to comply could result in minor or moderate injury.
		Notice : Indicates recommended practices if not followed, may result in a malfunction or damage the machine or its components.
		Procedure : Indicates a maintenance operation.

B- Familiarization

1.5 - SYMBOLS LEGEND AND DEFINITIONS

Symbols are used throughout this manual to depict hazards, avoidance measures and indicate when information is required.

Refer to the following table to familiarize yourself with these symbols.

Symbol	Description	Symbol	Description	Symbol	Description
	Body crushing hazard		Foot crushing hazard		High pressure fluid ejection hazard
			Hand crushing hazard		Entanglement hazard
			Health/safety hazards related to chemicals		Health-damaging effects from hot work environment
	Electrical contact or lightning strike		Burns and scalds from contact with flames, explosion or radiation from heat sources		Injury from Electric arcs - Energy supply disconnecting devices - Batteries fire, emissions, etc
	Risk of operator(s) falling		Tip over due to excessive loading / wind load and excessive ground slope		Relate and coordinate directional arrows on the chassis with those on the control box
	Do not put foot in this area		Do not put your hand in this area		Keep away from product working area
	Never expose batteries and electrical component to high pressure washer		Ensure entry drop rail is down		Keep away from product working area
	Flames prohibited		Maintain safe clearance from high voltage electrically charged conductors as described in manual - Do not use in thunderstorms		Overload
	Refer to operator manual		Safety belt		Use appropriate lanyard attached to dedicated anchor point.
	Wheel pressure		Enable switch		Use safety prop before attempting any maintenance work
	Tow point		Tie down point		Lift point
	Keep away from hot surfaces		Wear protective equipment		

B - Familiarization

2 - Models description

Regulations	Models
ANSI and CSA standards	OPTIMUM 1931 E
CE, AS and EAC standards	OPTIMUM 8

A

B

C

D

E

F

G

H

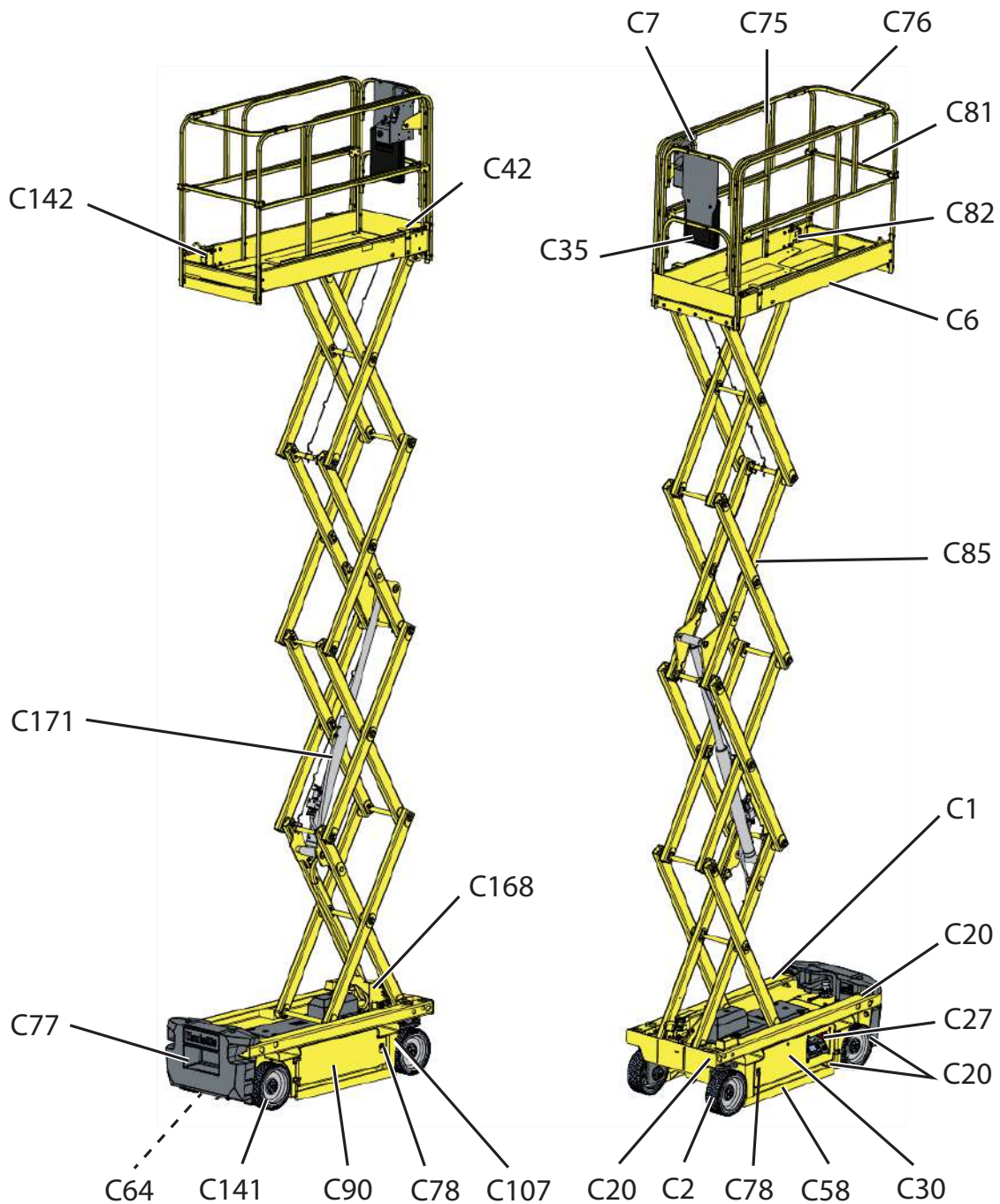
I

B - Familiarization

3 - Primary machine components

3.1 - LAYOUT

OPTIMUM 8 - OPTIMUM 1931 E



B - Familiarization

Marking	Description	Marking	Description
C1	Chassis	C77	Platform access ladder
C2	Front drive wheels	C78	Compartment locking latch
C6	Platform	C81	Sliding guardrail
C7	Platform control box	C82	Extension deck lock pin
C20	Tie-down (and/or forklift loading)	C85	Scissors
C27	Ground control box + Universal plug	C90	Battery bay (block)
C30	Hydraulic oil tank	C107	Pull T-handle for emergency lowering
C35	Document holder	C141	Rear wheel
C42	Foot Switch (For Japan only)	C142	Lanyard attachment points
C58	Pothole protection	C168	Maintenance support
C64	Tilt sensor	C169	Folding guardrails / Swing gate (Optional - Not shown)
C75	Extension deck	C171	Scissors lifting cylinder
C76	Guardrail		

U n i v e r s a l p l u g



B- Familiarization

3.2 - MAINTENANCE SUPPORT

The maintenance stand must be in place before any maintenance operation is begun.

Placing the machine in maintenance configuration :

- Lift scissor arms to a sufficient height (floor of the platform at around 2,5 m / 8 ft 2 in from the ground).
- Pull the plastic handle and put the stand in the vertical position.
- Release the handle. The stand should remain in the vertical position.
- Lower the scissor arms.
- Scissor arm pivoting rod should rest on the V groove of the stand.

Putting in use position :

- To put back the machine into its normal operation, reverse the steps used above.



B- Familiarization

3.3 - EXTENSION DECK

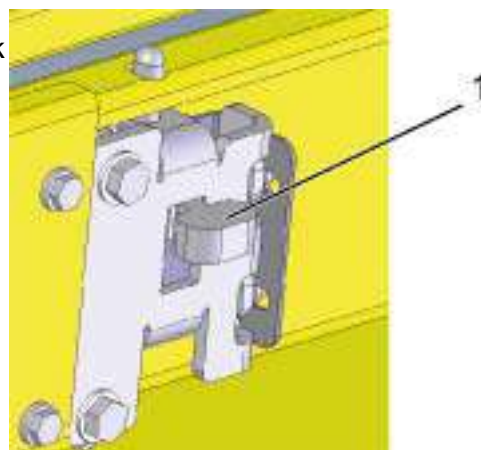
N.B.:-DO NOT LOAD THE EXTENSION DECK, FOR EASE OF MANOEUVRING.

Ensure that gate or sliding bar is in it's proper closed position.

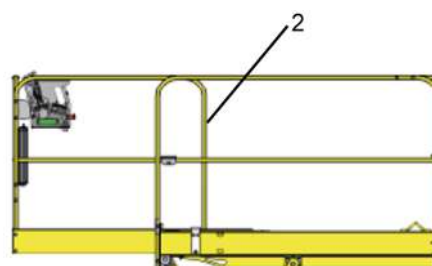
Perform the extending and retracting operations of the extension deck on flat, horizontal ground.

To extend the extension deck :

- Press the pedal (1) to release the extension deck lock pin.



- With pedal (1) pressed, push the extension deck guard rails (2) to the extended position.
- Keep hands clear of pinch points.



Make sure that the extension deck is in locked position. Be aware of the extended platform position when moving the machine.

To retract the extension deck :

- Press pedal (1) and pull the extension deck rails (2) inwards to the locked position.
- Release the pedal.

B- Familiarization

3.4 - GROUND CONTROL BOX

3.4.1 - Layout

General view



Controls and indicators

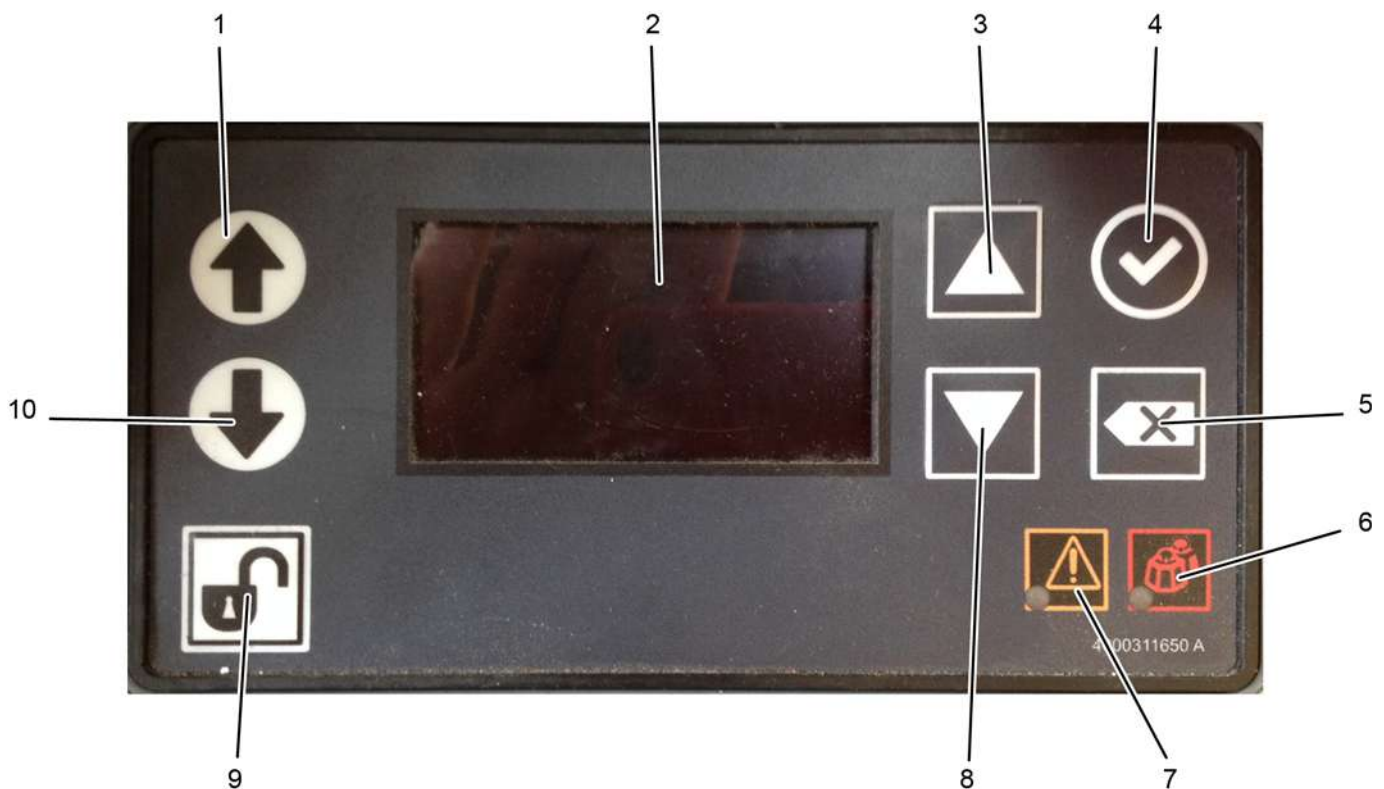
Marking	Description	Function
15	E-stop button	Pulled out : Ground control box energized Pushed in : De-energizes control system
43	Horn button	Not used
92	Control box activation key switch	Right : Ground control box energized Center : De-energizes control system Left : Platform control box energized
105	Beacon light (Optional)	Move upwards : Flashing light turn ON Move downwards : Flashing light turn OFF
253	Diagnostic tool socket	Connection to the diagnostic tool (HaulotteDiag)

B - Familiarization

3.4.2 - HAULOTTE Activ'Screen

Upon starting and during operation of the machine, the LCD screen "Activ'Screen" located on the ground control box displays in real time the machine operating status.

HAULOTTE Activ'Screen



Controls and indicators

Marking	Description	Function
1	Platform raising control	Platform raises
2	LCD screen	Display status of operation of the machine
3	Navigation button	Navigation of menu to select function - Scroll up
4	Confirmation button	Confirmation of the selected function
5	Cancellation button	Go back
6	Platform overload indicator	Platform overload indicator
7	Machine fault indicator	Constantly lit in the event of an operation malfunction
8	Navigation button	Navigation of menu to select function - Scroll down
9	Enable Switch	Press in and hold : Enable switch
10	Platform lowering control	Platform lowers

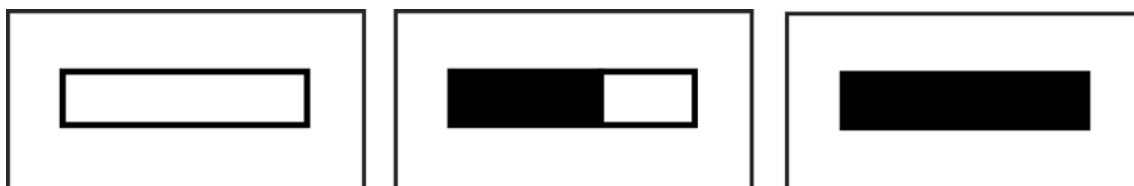
B- Familiarization

LCD screen

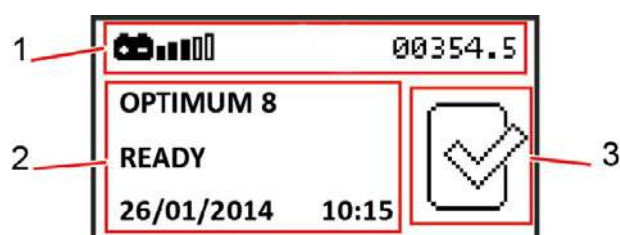
At startup :

At startup with the ground or platform controls selected; system initiates a self check :

- Bar gets filled up.





- Home screen comes on with status icon of the machine - okay to proceed functioning the controls.

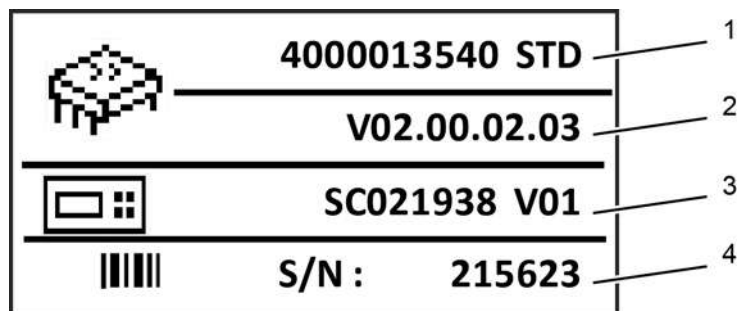


Symbol	Description
1	Information icons
2	Information text
3	Status icon of the machine



Symbol	Description
	Battery status
	Maintenance use
	Fault / alarms
	Hour meter

B- Familiarization

- After pressing on   :



Symbol	Description
1	Software part number
2	Software version + Screen software version + Screen version
3	Screen identification + Screen software version
4	Machine serial number displayed

- After again pressing on  
- Access code screen comes on - refer to maintenance manual for entering the access code



- Validation by pressing on is active only if access code is known and entered - refer to maintenance manual for the procedure for the different level code usage

B- Familiarization

Alarm status :

Alarm status displayed as applicable - samples shown below

Tilt :



Overload :



Low battery :



B- Familiarization

Recharge the batteries :



Fully recharge the batteries.

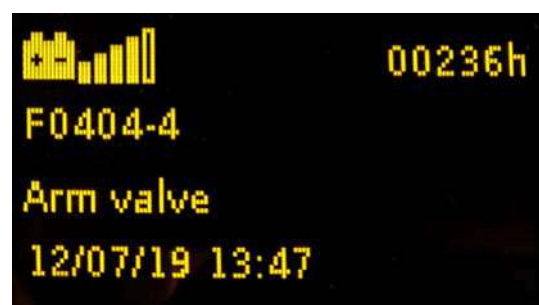
Low battery water level :



Low water tank level :



Present fault :



B- Familiarization

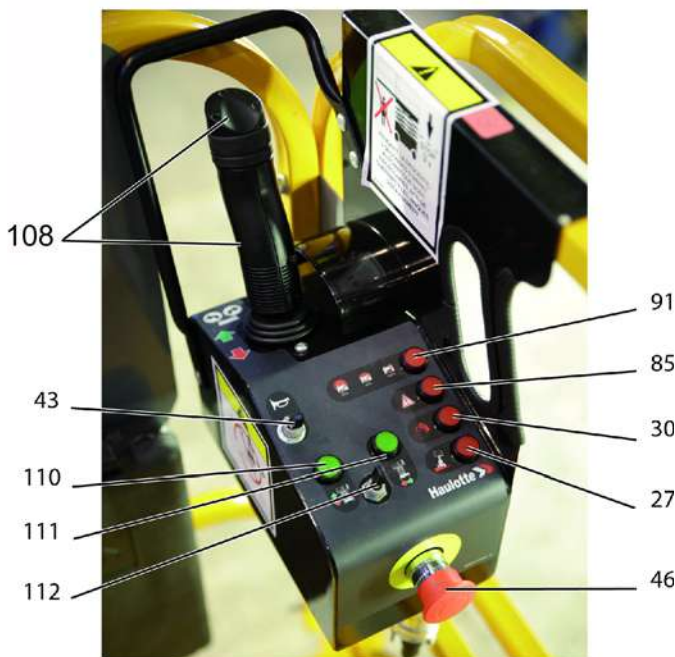
3.5 - PLATFORM CONTROL BOX

3.5.1 - Layout

General view



123



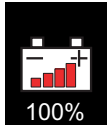


245



Controls and indicators

Marking	Item	Description	Function
27	HL800	Tilt indicator	Machine on excessive slope
30	HL802	Overload indicator	Platform overloaded
43	SA907	Horn button	Move upwards and hold to activate horn
46	SB802	E-stop button	Pulled out : Platform control box power supply energized
			Pushed in : De-energizes control system
85	HL903	Fault indicator	Fault indicator Faulty or tilting or overloaded machine

B- Familiarization

Marking	Item	Description	Function
91	HL904	Battery charging indicator	 100% Battery charged
			 40% Flashing : Batteries have 40 % charge left
			 20% Constantly on : Batteries have only 20 % charge left
108	SM901	Movement joystick	Move forward : Forward drive or platform raising Move backwards : Reverse drive or platform lowering
		Front axle steering selector	Press right side of button : Right-hand steering Press left side of button : Left-hand steering
110	HL420	Raising / lowering selector	On : Raising / Lowering selection activated Off : Raising / Lowering movement is not selected
111	HL100	Driving selection indicator	On : Driving function activated Off : Driving movement is not selected
112	SA908	2-position selector	Move to the left : Platform raising / lowering Move to the right : Drive movements
123	SA905	Enable Switch	Press in and hold : Associated command is validated
			Press in and hold : Enable switch
			Release : Associated command movement is halted
245	SB800	Foot Switch (For Japan only)	Press in and hold : Enable switch

B - Familiarization

4 - Performance Specifications

4.1 - TECHNICAL CHARACTERISTICS

Use the table to select the right Haulotte machine for the job.



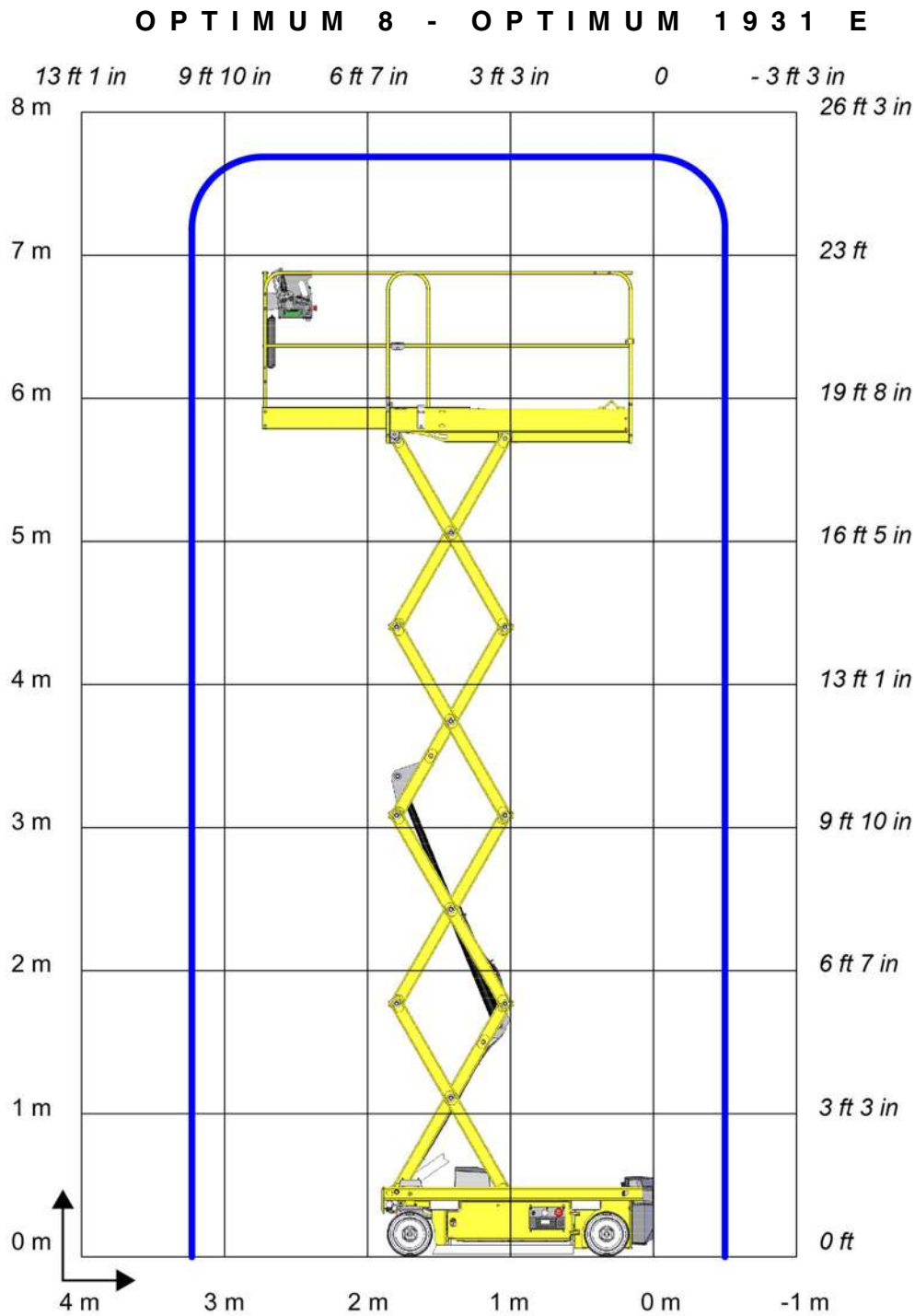
Do not replace parts that are essential to the stability of the machine, such as batteries or tyres, with parts that have a different weight or different specifications. The stability of the machine could be affected.

CE, AS, EAC, CSA and ANSI A92.20 standards

Machine	OPTIMUM 8 - OPTIMUM 1931 E			
Characteristics - Dimensions	SI	Imp.		
Maximum working height	7,77 m	25 ft 6 in		
Maximum platform height	5,77 m	18 ft 11 in		
Total weight	1590 kg	3505 lbs		
Maximum platform capacity	230 kg	500 lbs		
Maximum number of occupants	Indoor use : 2 Outdoor use : 1			
Maximum wind speed	Indoor use : 0 km/h (0 m/s) Outdoor use : 45 km/h (12,5 m/s)	Indoor use : 0 mph (0 ft/s) Outdoor use : 28 mph (41 ft/s)		
Manual force	Indoor use : 400 N (90 lbf) Outdoor use : 200 N (45 lbf)			
Gradeability	25 %			
Maximum side rated slope	1,5°			
Maximum longitudinal rated slope	3°			
Maximum load on wheel	960 kg	2120 lbs		
Maximum ground pressure of wheel on paved ground	16,6 kg/ cm ²	34100 lb/ft ²		
Drive speed :				
• Folded machine maximum speed	4,5 km/h	2.79 mph		
• Unfolded machine maximum speed	0,5 km/h	0.3 mph		
Maximum freewheel speed during towed operation	4,5 km/h	2.79 mph		
Outside turning radius	1,5 m	4 ft 11 in		
Inside turning radius	1 m	3 ft 3 in		
Power source - Electric				
Standard	Option	Battery weight	System voltage	Capacity
X		28 kg(62 lb)	24V	180Ah (C5)
	X	30 kg(66 lb)	24V	195Ah (C5)
	X	30 kg(66 lb)	24V	182Ah (C5)
For Japan only				
X		32 kg(71 lb)	24V	170Ah (C5)
For Australia only				
X		28 kg(62 lb)	24V	185Ah (C5)
Hydraulic tank capacity			6 l	1.6 gal US

B - Familiarization

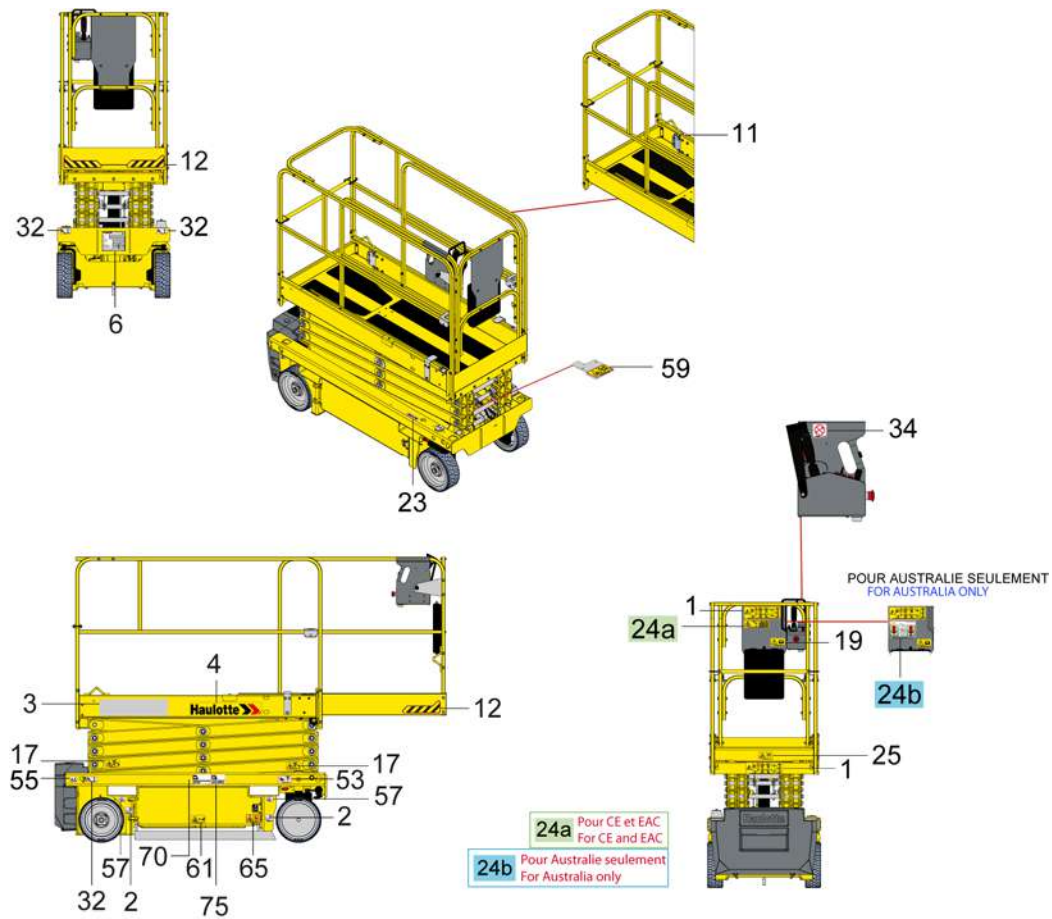
4.2 - WORKING AREA / RANGE OF MOTION



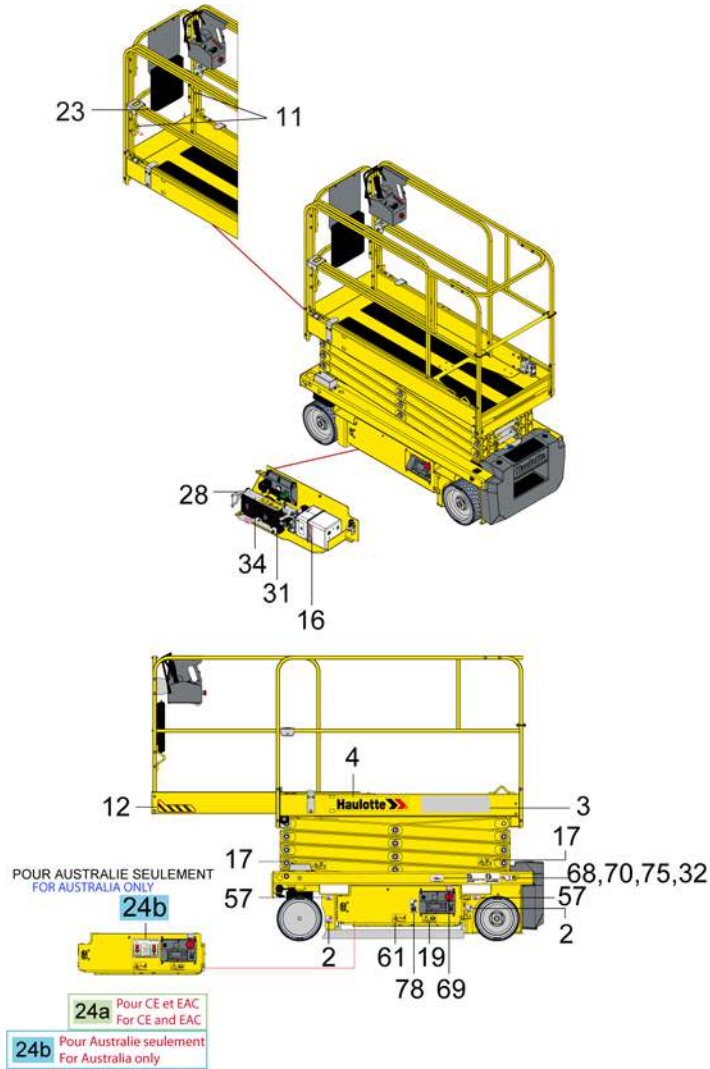
B- Familiarization

5 - Decals and markings locations

CE, AS and EAC standards - 4000390350 N - OPTIMUM 8



B- Familiarization



A

B

C

D

E

F

G

H


I

B- Familiarization

CE, AS and EAC standards

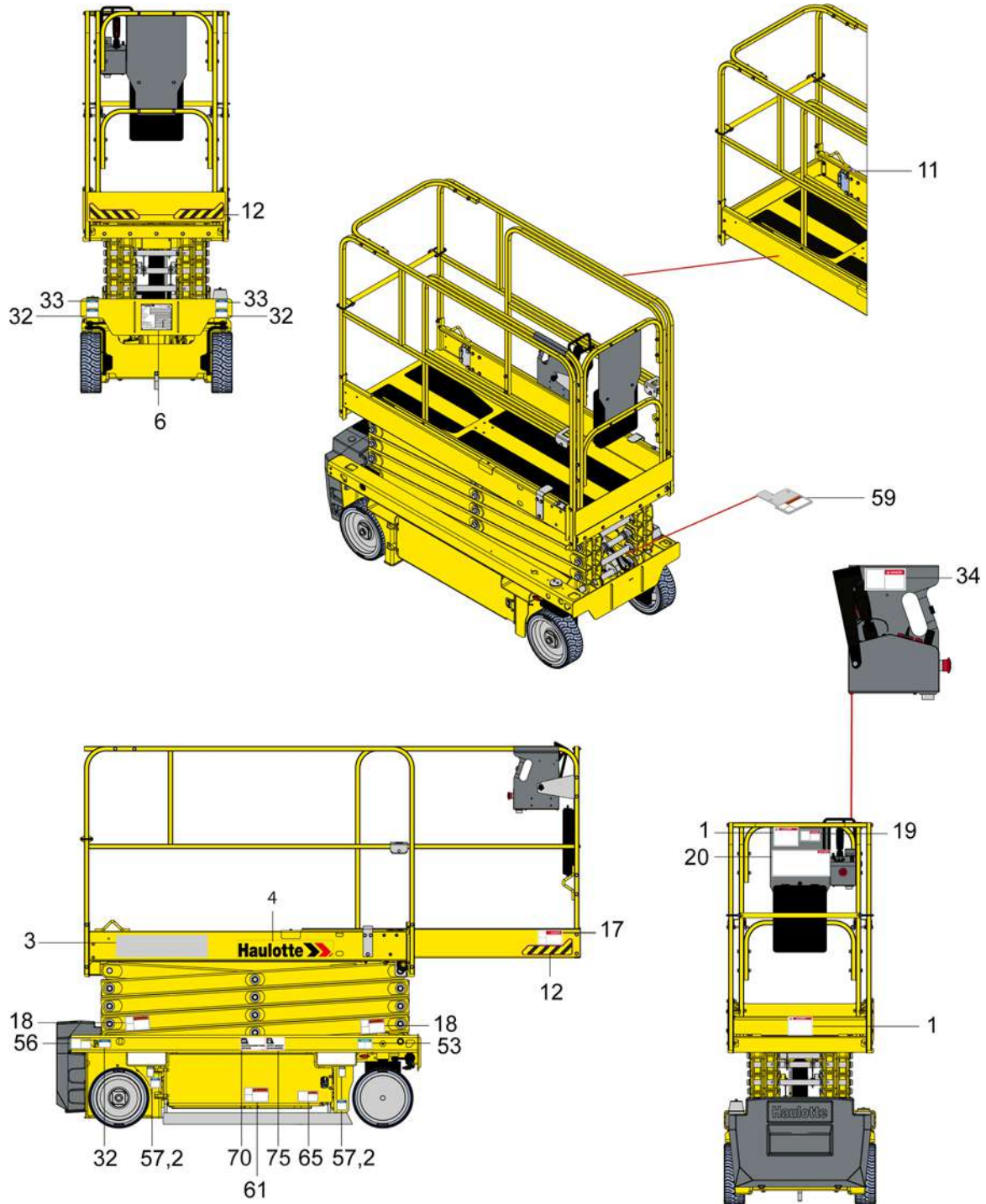
Marking	Description	Quantity	OPTIMUM 8
1	Height of the floor and load	2	4001095310
2	Maximum Pressure per Tire - Floor Loading	4	4001052010
3	Commercial name - Bright machine	2	3078146730
3	Commercial name - Dark machine	2	307P222270
4	Decal HAULOTTE® - 500 x 100 - Bright machine	2	307P217080
4	Decal HAULOTTE® - 500 x 100 - Dark machine	2	307P224740
4	Decal HAULOTTE® - 500 x 100 - Red machine	2	307P220360
6	Identification plate	1	4000700140
11	Lanyard attachment points	3	4001052020
12	Material risk - Yellow and black adhesive tape	4	4001052030
16	Max and min oil level	1	4001052060
17	Risk of crushing	4	4000244370
19	Operation instructions	2	4001052090
23	Risk of crushing - Driving direction	2	4001052100
24a	Danger of electrocution	2	For CE and EAC standards only : 4001052120
24b	Danger of electrocution	2	For AS standard only : 4001052140
25	Risk of crushing - Closing drop rail	1	4001052150
28	Do not interchange	1	4000504670
31	Brake release	1	4001052170
32	Anchorage point - Traction	4	4001052180
34	Risk of electrocution - Water projection	2	4001052200
53	Emergency lowering location	1	4001052210
55	Charger - 240 V	1	4001052220
57	Position of the lift truck forks	4	4001052230

B - Familiarization

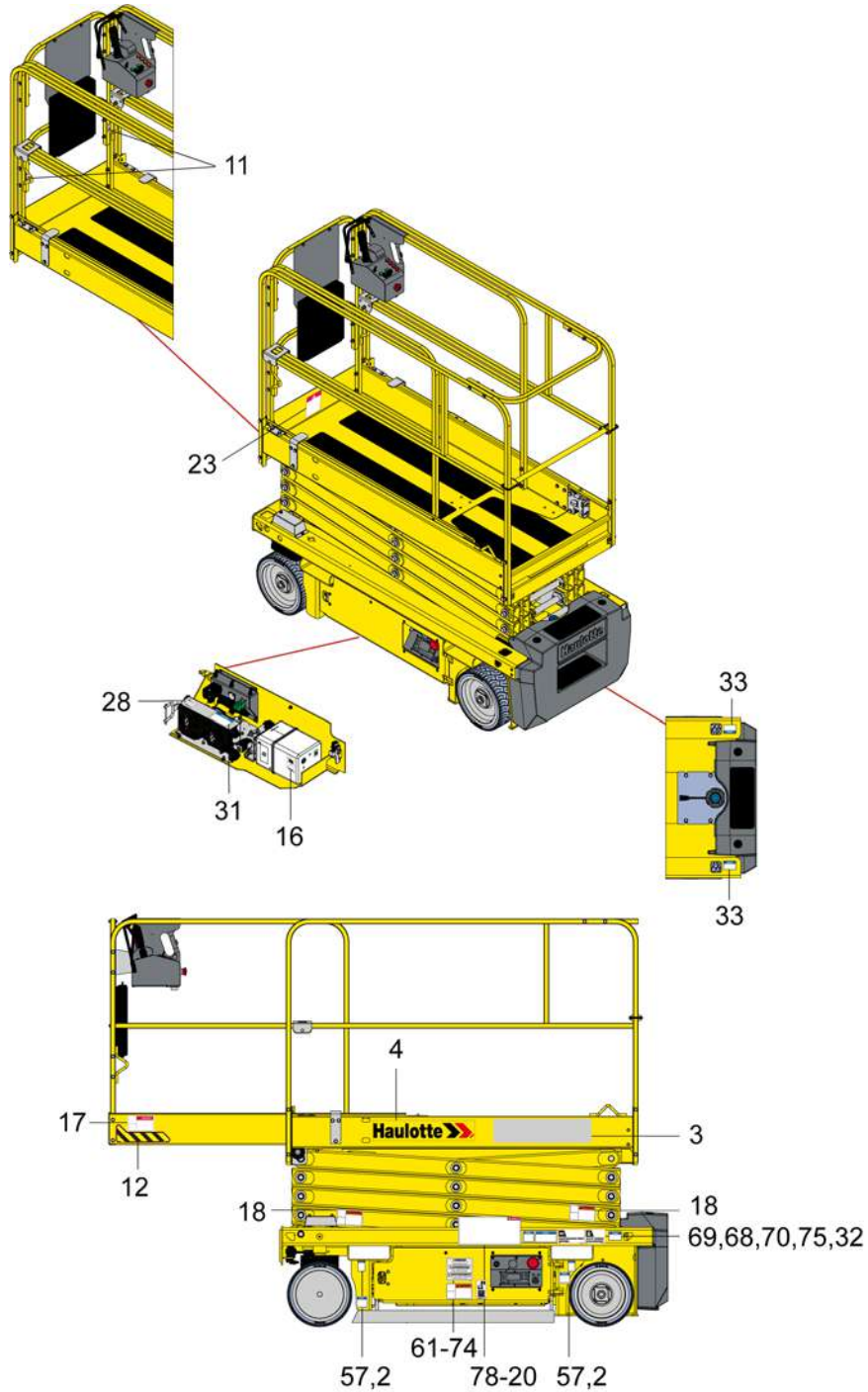
Marking	Description	Quantity	OPTIMUM 8
1	Height of the floor and load	2	4001095310
59	Scissors safety	1	4001052240
61	Risk of crushing	2	4001052260
65	Fire Hazard	1	4001052270
68	Transport height	1	4001052280
69	Battery isolation switch	1	4001052290
70	Information - AC MAINTENANCE-FREE MOTORS - Bright machine	2	4001053450
70	Information - AC MAINTENANCE-FREE MOTORS - Dark machine	2	4001053500
75	Information - ACTIV' ENERGY MANAGEMENT - Bright machine	2	4001053460
75	Information - ACTIV' ENERGY MANAGEMENT - Dark machine	2	4001053510
78	QR Code ( https://www.e.technical-information.com)	1	4001089310
Not illustrated	Biodegradable hydraulic oil option	1	4001052380
Not illustrated	Biodegradable hydraulic oil option - Cold country	1	4001052390
Not illustrated	Power plug option	1	4001052350 / 4001052360
Not illustrated	Option - 127 V UK charger socket	1	4001052130
Not illustrated	Centralized filling option	1	4001052340

B - Familiarization

ANSI and CSA standards - 4000427210 N -
OPTIMUM 1931 E



B - Familiarization



A

B

C

D

E

F

G

H


I

B- Familiarization

ANSI and CSA standards

Marking	Description	Quantity	OPTIMUM 1931 E
1	Height of the floor and load	2	4000706390
2	Maximum Pressure per Tire - Floor Loading	4	4000761670
3	Commercial name - Bright machine	2	4000504010
3	Commercial name - Dark machine	2	4000504020
4	Decal HAULOTTE® - 500 x 100 - Bright machine	2	307P217080
4	Decal HAULOTTE® - 500 x 100 - Dark machine	2	307P224740
4	Decal HAULOTTE® - 500 x 100 - Red machine	2	307P220360
6	Identification plate	1	4000700150
11	Lanyard attachment points	3	4001052020
12	Material risk - Yellow and black adhesive tape	4	4001052030
16	Max and min oil level	1	307P221060
17	Risk of crushing	2	In english : 4000130190 In french : 4000130200 In spanish : 4000130210
18	Hand crushing hazard - Risk of crushed hands	4	In english : 4000024770 In french : 4000067710 In spanish : 4000086490
19	Operation instructions	1	4000025140
20	Operation instructions	2	In english : 4000243670 In french : 4000243680 In spanish : 4000243690
28	Do not interchange	1	4000504670
31	Brake release	1	4000361570
32	Anchorage point - Traction	4	4000027310
33	Anchorage point - Lifting eyes	4	4000027330
34	Risk of electrocution - Water projection	2	4000025130
53	Emergency lowering	1	4000227200
56	Charger - 110 V	1	4000419150
57	Position of the lift truck forks	4	3078143830
59	Scissors safety	1	In english : 4000024850 In french : 4000068070 In spanish : 4000086500

B - Familiarization

Marking	Description	Quantity	OPTIMUM 1931 E
1	Height of the floor and load	2	4000706390
61	Risk of crushing	2	In english : 4000024780 In french : 4000067700 In spanish : 4000086480
65	Fire Hazard	1	In english : 4000025030 In french : 4000068120 In spanish : 4000086550
68	Transport height	1	4000417380
69	Battery isolation switch	1	4000420660
70	Information - AC MAINTENANCE-FREE MOTORS - Bright machine	2	4001053450
70	Information - AC MAINTENANCE-FREE MOTORS - Dark machine	2	4001053500
74	California warning - P65	1	4001026850
75	Information - ACTIV' ENERGY MANAGEMENT - Bright machine	2	4001053460
75	Information - ACTIV' ENERGY MANAGEMENT - Dark machine	2	4001053510
78	QR Code ( https://www.e.technical-information.com)	1	4001089310
Not illustrated	Biodegradable hydraulic oil option	1	3078148890
Not illustrated	Biodegradable hydraulic oil option - Cold country	1	307P223700
Not illustrated	Power plug option	1	4001052350 / 4001052360
Not illustrated	Option - 127 V UK charger socket	1	4001052130
Not illustrated	Centralized filling option	1	4001052340

C - Pre-operation inspection

1 - Recommendations

The owner, the site manager, the supervisor and the operator are all responsible to ensure the machine is fit for the work it is to perform; i.e. that the machine is suitable to carry out the work in complete safety and in compliance with this Operator's Manual. All managers who are responsible for persons operating the machine must be familiar with the local regulations currently applicable in the country of use and ensure that they are adhered to.

Before using the machine, read the previous chapters in this manual. Ensure that you have understood the following points :

- Safety precautions.
- Operator's responsibilities.
- Conditions and the operating principles of the machine.

2 - Working area assessment

Before carrying out any operations, ensure that the machine corresponds to the work to be done and the working environment :

- Carry out a thorough inspection of the site to identify any potential risks within the work zone.
- Take the necessary precautions to avoid collisions with other machinery within the work zone.

Ensure that :


- The weather conditions (wind, rain, etc.) allowing the machine to be used.
- The ground withstands the weight of the machine and has not been affected by the poor weather conditions.
- Check that the authorisations to work with the machine on the site in question have been obtained (.g. chemical product factories).
- Define a rescue plan for all the risks, including the risk of falls and crushing.

C - Pre-operation inspection

3 - Inspection and Functional test

3.1 - DAILY INSPECTION

Each day before the beginning of a new work session and with each change of operator, the machine must be subjected to a visual inspection and a complete functional test.

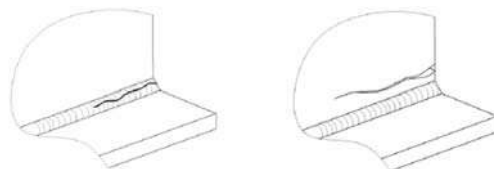
-  • **Never use a defective or a malfunctioning aerial work platform.**
- **If any item on the check list is marked "No" during the inspection; machine must be tagged and placed out of service.**
- **Do not operate the machine until all identified items are corrected and it has been declared safe for operation.**

In case of loose fasteners, refer to torque table value in maintenance book.

In case of leaks, replace the damaged part before use.

In case of structural part deformation (cracks, broken weld, paint chips) replace the part before use.









S a m p l e o f b r o k e n w e l d s



We recommend these forms to be completed daily and stored to assist with your maintenance schedule.

Each action is depicted in the daily inspection sheet using the following symbols.













Use the detailed program below.

	Oil change		Lubrication-Lubrication		Tightening
	Levelling		Systematic replacement		Functional adjustments / Checks / Cleaning
	Visual inspection		To check by test		

Serial number : Hours of operation : HAULOTTE Services® contract reference : Intervention record number : Date : Name :	Model : Signature :
--	--

















C - Pre-operation inspection

OPTIMUM 8 - OPTIMUM 1931 E

	Page or associated procedure	Daily	OK	NOK	Corrected	Comments
Chassis assembly : Wheel, reducer, steering, wheel pivot						
Check state of tires/tyres and inflations						
Clean the pads slide						
Batteries						
Check the condition of the battery						
Check the operation of the lock on the engine casing						
Hydraulic : oils, filters and hoses						
Check the hydraulic oil level (Top up the oil if necessary ; Machine stowed)						
Check the clogging indicator on the hydraulic pressure filter (change if clogged)						
Check the hoses, blocks and pumps, fittings, cylinders and the tank for the absence of leaks, deformations and damage						
Platform						
Ensure that the gate or sliding bar shall be designed to either return automatically to the closed and latched position						
Check that the harness anchor points are not cracked or damaged						
Clean the platform extension						
Check the quick ties and the good location of the guardrail						

C - Pre-operation inspection

OPTIMUM 8 - OPTIMUM 1931 E

	Page or associated procedure	Daily	OK	NOK	Corrected	Comments
General						
Check for the presence, cleanliness and readability of the manufacturer's plates, security labels, user manual and maintenance manual						
Check the cleanliness and readability of the control box						
Test the opening and closure of covers (chassis, turntable, upper control box)						
Check the condition of electrical harnesses, cables and connectors						
Check for the absence of abnormal noise and jerky movements						
Check for the absence of visible deterioration and damage						
Check for the absence of cracks, broken welds and chipped paintwork on the structure						
Check for the absence of missing or loose screws and bolts						
Check for the absence of deformation, cracking and breakage of axis stops, bushing and axes						
Check for the absence of foreign bodies in joints and sliding parts						
Safety devices						
Test the operation of the upper and lower control boxes: manipulators, switches, buttons, horn, emergency stops, screens and lights						
Check the absence of visual and audible alarms						
Test the operation of the tilt system						
Test the operation of the emergency lowering system						
Test the operation of the load control system - Calibrate if necessary						

C - Pre-operation inspection

4 - Safety functional checks

To protect the user and the machine, safety systems prevent the movement of the machine beyond its operating limits. These safety systems when activated immobilize the machine and prevent further movement.

The operator must be familiar with this technology and understand that is not a malfunction but an indication that the machine has reached an operation limit.

Aerial Work platforms are equipped with two control boxes which allow operators to safely use the machine. An auxiliary device (T-handle) is available on the chassis to assist with the emergency lowering of the machine. Each control box is equipped with an E-Stop button, which cuts all movements when pushed in.

The following checks describe the operation of the machine and the specific controls required.

The speed selector buttons at the ground control box and the platform control box act as the enable switch.

For the location and description of these controls :  refer to section B 3.2 and D 2 - Ground control box and B 3.3 and D 3 - Platform control box.

4.1 - E-STOP BUTTON CHECK

Ground control box E-stop button

Step	Action
1	Pull the E-stop button (15) at ground.
2	Turn the control box activation key switch (92) to the right to energize the ground control box. The indicators light up.
3	Push the E-stop button (15). The indicators go out.

Platform control box E-stop button

Step	Action
1	Pull the E-stop push-button (46).
2	Turn the control box activation key switch (92) to the left to energize the platform control box. The indicators light up.
3	Push the E-stop button (46). The indicators go out.

4.2 - ACTIVATION OF CONTROLS

The deadman foot pedal (enable switch) must be activated to allow any movement.

The "Enable Switch" system depends on the machine configuration and will consist of one of the following :

- Enable trigger on platform control joystick.
- Foot pedal (enable switch) in the platform (Optional).
- Enable switch on the ACTIV'Screen on ground control box.

C - Pre-operation inspection

4.3 - FAULT DETECTOR

The machine is equipped with an on-board fault detection system, which indicates the type of fault to the operator.

The fault is identified by a default code.

The default code is displayed at the ground control box.

According to the type of fault, the machine MAY switch into DOWNGRADEMODE mode and certain movements are prevented to maintain Operator's safety.

Do not use the machine until the fault has been corrected.

4.3.1 - Buzzers test

From the ground control box

Step	Action
1	Pull the E-Stop buttons (15) at ground control box and (46) on the platform control box
2	Turn the control box activation selector key (92) to the left or right to activate a control box. An audible signal (beep) sounds.

4.4 - OVERLOAD SENSING SYSTEM

If the load on platform exceeds the maximum allowed load, no movement is possible.

At ground and platform control boxes a buzzer sounds and an indicator light warns the operator.

To return the machine to normal operation remove weight from the platform until the load is below the maximum allowed load.

N.B.-:OVERLOAD DETECTION IS ALSO ACTIVE DURING LIFTING MOVEMENTS TO LIMIT THE EFFECTS OF CONTACT WITH AN OBSTACLE ABOVE THE PLATFORM. IN THIS CASE, THE LOWERING MOVEMENT CAN THEN BE ACTUATED TO DISENGAGE.

C - Pre-operation inspection

4.5 - SLOPE WARNING DEVICE

From each control box, a buzzer alerts the operator that the machine is not folded/stowed and is positioned on a slope exceeding the slope allowed.

N.B.-:-THE SLOPE SENSOR IS ONLY ACTIVE WHEN THE PLATFORM IS NOT IN THE STOWED POSITION.

When machine is on a slope greater than the rated slope, with extending structure out of the stowed position :


- The DRIVE and LIFTING (RAISING) commands are deactivated.

The lowering speeds are reduced.

In this case, fully lower the platform and reposition the machine on level ground before raising the platform again.

To check the tilt sensor at ground level, perform the following steps :

Daily check

Step	Action
1	Put the machine in stowed position on a slope with an angle greater than the permitted inclination (Refer to  Section B 4.1 Technical specifications).
2	Check that the tilt indicator is on (27).

4.6 - TRAVEL SPEED LIMITATION

Drive speed is proportional to control until the maximum speed is reached (machine in fully stowed position)

The only speed allowed when not in stowed position is microspeed (This speed is a default speed programmed into the machine).

4.7 - ELECTRONIC VARIABLE SPEED DRIVE

The machines are equipped with 2 electronic variable speed regulators configured for each function and manages the required power needed for each motor.



Do not interchange the speed controllers/regulators between machines even if they are the same model.

4.8 - MACHINE BRAKING

When electric power is cut off, the machine stops automatically.

Performance levels may be reduced in the following situations :

- Descending a bumpy ramp.
- Worn tires/tyres.
- Damp or muddy ground conditions.

Check that the brakes are applied automatically when the Drive joystick is released to the neutral position.

C - Pre-operation inspection

4.9 - WHEEL MOTOR BRAKE RELEASE

Each time a drive command is activated, electric power releases the brakes.

4.10 - POTHOLE PROTECTION SYSTEM

The machine is equipped with a pothole mechanism under the chassis that is deployed automatically when the platform is out of the stowed position.

Check the system for damage and ensure that it deploys when the platform is raised.

4.11 - ON-BOARD CHARGER

Battery charging starts as soon as an external supply is connected to the battery charger.



When the battery pack is being charged with an external power supply, the machine's electric system is automatically deactivated.

4.12 - ANTI-CRUSH SYSTEM WHEN LOWERING

A device alerts people on the ground of a risk of crushing :

- Between the lifting systems.
- Under platform extension.

This device automatically operates between the transport height position limit and the lower position (Refer to Driving speed).

All versions, lowering control from the platform and ground control boxes :

- Slows the downward movement and emits an audible signal.

Standard CE, lowering movement from platform control box :

- At the end of the lowering operation, a 3 (second) automatic delay is initiated before resuming lowering, to avoid the risk of crushing.

D - Operation instructions

1 - Operation

1.1 - INTRODUCTION

Only trained and authorized personnel shall be permitted to operate this aerial work platform.


Prior to operation :

- Read, understand and obey all instructions and safety precautions in this manual and attached to the aerial work platform.
- Read, understand and obey all local regulations.
- Become familiar with the proper use of all controls and emergency systems.

1.2 - OPERATION FROM THE GROUND CONTROL BOX

- Turning "ON" and "OFF" of the machine is performed with selector key switch (92).
- Activation of a desired control box is achieved by turning the control box energizing selector switch (92) to the desired position.
- The ground control box is energized and is active ONLY when :
 - The emergency stop on the ground control box is not pushed in.
 - The machine is switched on.
 - Ground control box is selected.
- An E-stop button at each control box stops all movements when pressed in (deactivated).

N.B.-:-AN E-STOP BUTTON PRESSED IN DOES NOT TURN OFF THE MAIN POWER SUPPLY TO THE MACHINE.

- An Enable Switch (9) provided must be activated and maintained to authorize one or more function movements. If Enable Switch (9) is kept engaged without selecting a function movement for more than 8 s; Enable Switch is automatically de-activated.
- The release of "Enable switch" (9) while performing a movement stops all the movements. The stop of movements is progressive. If the Enable Switch system is re-pressed, the movement doesn't restart. It could restart only when the selected function switch/joystick is released to neutral position.
- All switches and joystick operating a movement, return automatically to neutral when released.
- The ground control box is designed for maintenance and emergency rescue operations only. Refer to  Section D 4.2 To rescue operator in platform.

D - Operation instructions

- The status of the switches is tested automatically when the machine is switched on, and checked at every starting. A switch will be active only after it has been detected to be in neutral position. The following switches are not controlled :

- Beacon light (if fitted)

A buzzer beeps in the following conditions :

- Overload (if fitted).
- Machine out of stowed position and on a slope greater than allowable slope.
- Movements option.
- Indicators / Cluster : All indicators are checked after powering on the machine

D - Operation instructions

1.3 - OPERATION FROM THE PLATFORM CONTROL BOX

- The platform control box can only be used if :
 - The E-stop buttons on both ground and platform control boxes are not pressed in.
 - Machine switched on at ground control box.
 - Platform control box selected from ground control box.
- A faulty joystick is not taken into account to control a movement. If this fault disappears, the movement is authorised again.
- An E-Stop button is present at each control box. When pushed in, it stops all functions movements.
- An Enable switch (123) or Foot Switch in the basket (245) is present and should be activated to authorize one or more function movements. If the Enable Switch is kept active for more than 8 seconds without selecting a function movement, then movement is disallowed. The enable switch must be released (reset) before movement can occur.
- The release of "Enable switch" (123) or Foot pedal switch in the basket (245) while performing a movement stops all the movements. The stop of movements is progressive. It could restart only when the selected function switch/joystick is released to neutral position.
- All switches and joystick operating a movement, return automatically to neutral when released.
- The status of the switches and joysticks is tested automatically when the machine is switched on. A switch or joystick will be active only after it has been detected in neutral position.

A buzzer beeps in the following conditions :

- Overload.
- Machine elevated on a slope greater than the rated slope.
- Indicators - All the indicators are tested
 - When the machine is switched on.



While driving on a slope :

- Always orientate the machine in the direction of the slope.
- Stow the machine completely.
- Do not travel down slopes in high speed.
- Do not drive fast in narrow or cluttered areas. Keep speed under control while making turns or sharp bends.

D - Operation instructions

2 - Ground control box

2.1 - TO START AND STOP THE MACHINE

- Ensure that the E-Stop buttons (15) and (46) at the ground and platform control boxes are pulled out.
- Turn the key of the control box activation switch (92) to the right to energize the ground control box.

To shut-down the machine from the ground control box :

- Turn the control box activation selector (92) key to the center.
- Push in the E-stop button (15).

N.B.-:-THE ACTIV'SCREEN AUTOMATICALLY GOES INTO STANDBY IF IT IS NOT USED FOR AN EXTENDED PERIOD. TO SWITCH THE ACTIV'SCREEN BACK ON, TURN THE KEY SELECTOR TO POSITION OFF THEN FOLLOW THE START-UP PROCEDURE.

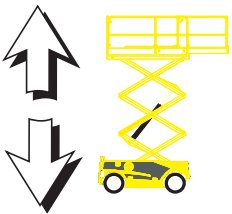

2.2 - MOVEMENT CONTROL



Even at low movement speeds, use the controls with caution.

N.B.-:-RELEASING THE ENABLE SWITCH WILL STOP ALL MOVEMENTS.

Ground box controls (emergency station)

Command	Action
Platform raising / lowering 	Push the platform raising / lowering selector (106) upwards to raise the platform.
	Press the platform raising / lowering selector (106) downwards to lower the platform.
Emergency lowering / Emergency platform lowering halted 	Pull the T-handle (C107) to lower the platform. Release the T-handle (C107) to stop platform lowering.



Once rescue operations are complete, write an incident report.

D - Operation instructions

Pull T-handle for emergency lowering



N.B.:-PULLING ON TO THE T-HANDLE, IMMEDIATELY ACTIVATES THE EMERGENCY LOWERING OF THE PLATFORM.



ALWAYS keep personnel and obstructions clear of the aerial work platform that might block the lowering.

2.3 - ADDITIONAL CONTROLS FROM THE GROUND CONTROL BOX

For the machines equipped with beacon light :

- Push the beacon light selector switch (105) upwards to turn ON the beacon light.
- Push the beacon light selector switch (105) downwards to turn OFF the beacon light.

D - Operation instructions

3 - Platform control box

3.1 - TO START AND STOP THE MACHINE

To start the machine :

At the ground control box :

- The E-stop button on the ground control box must be in ON position (pulled out / activated).
- Turn the key on the control box activation selector switch (92) to the left to energize the platform control box.

At the platform control box :

- Pull the E-stop button (46).

To stop the machine :

- Push in the E-stop button (46).

N.B.-:-THE ACTIV'SCREEN AUTOMATICALLY GOES INTO STANDBY IF IT IS NOT USED FOR AN EXTENDED PERIOD. TO SWITCH THE ACTIV'SCREEN BACK ON, PRESS THE EMERGENCY STOP BUTTON THEN FOLLOW THE START-UP PROCEDURE.

D - Operation instructions

3.2 - DRIVE AND STEER CONTROL

To control the direction and drive :

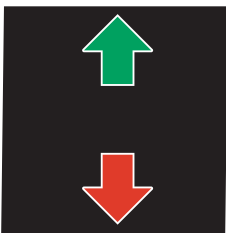
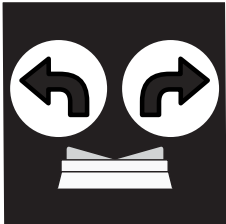
- Move the 2-position selector (112) to the right.
- The drive indicator (111) lights up.
- Simultaneously operate drive joystick (108) with joystick trigger (Enable switch (123)) pressed in and maintained.

N.B.-:FOR JAPAN ONLY - BOTH THE ENABLE SWITCH (123) AND FOOT PEDAL (245) MUST BE PRESSED TO ACTIVATE A FUNCTION.

N.B.-:FOR JAPAN ONLY - DRIVE AND STEER RESTRICTION WHEN ELEVATED, DEPENDING ON THE OPTION SELECTED AS SHOWN BELOW :

- OFF-Drive and steering functions are allowed at full height.
- ON if > 0.5 m (1.6 ft) - Drive and steer functions are cut off
- ON if > 1.5 m (5.0 ft) - Drive and steer functions are cut off

N.B.-:THE DRIVE AND LIFT SPEEDS ARE PROPORTIONAL TO THE POSITION OF THE JOYSTICK. PUSHING THE JOYSTICK COMPLETELY FORWARD OR BACKWARD, WILL RESULT IN MAXIMUM SPEED.

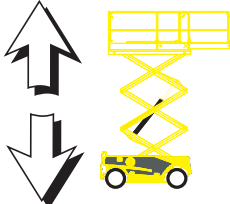
Command		Action
Driving		Move the drive joystick (108) forwards to drive the machine forwards.
		Move the drive joystick (108) backwards to drive in reverse.
Front-axle steering		Push the front-axle steering selector thumb switch (108) to the right to steer to the right.
		Push the front-axle steering selector thumb switch (108) to the left to steer to the left.

D - Operation instructions

3.3 - MOVEMENT CONTROL

To operate raising/lowering function, move 2 position selector switch (112) to the left. Activate raising/lowering selector (110). Simultaneously operate joystick (108) with joystick trigger (Enable switch (123)) pressed in and maintained.

N.B.:-FOR JAPAN ONLY - BOTH THE ENABLE SWITCH (123) AND FOOT PEDAL (245) MUST BE PRESSED TO ACTIVATE A FUNCTION.

Command	Action
Platform raising / lowering 	Push the movement joystick (108) forwards to raise the platform. <hr/> Push the movement joystick (108) backwards to lower the platform. ^{1. 2. 3. .}

1. When the platform is lowered to a height of 1,50 m(4 ft11 in) from the ground; a time delay is automatically activated for a few seconds, before any further lowering of the platform can commence
2. This is to avoid any risk of crushing
3. The alarm sounds

D - Operation instructions

4 - Rescue and emergency procedures

4.1 - IN CASE OF POWER LOSS

In case of loss of the main power source, lower the basket (or platform) using the T-handle on the chassis.

In an emergency, if the operator has to exit the platform while it is elevated, the transfer of the operator must respect the following recommendations. :

- Exit onto a sturdy and safe structure.
- The occupant(s) must ensure that 2 lanyards are used for security/safety. One must be attached to the designated anchorage point on platform the occupant(s) is in and the other attached to the structure intended to get on.
- Occupant(s) must exit the current platform through the normal access.

N.B.-:DO NOT DETACH THE LANYARD FROM THE CURRENT PLATFORM IF THE TRANSFER TO THE NEW STRUCTURE POSES ANY DANGER OR UNTIL THE TRANSFER IS SAFELY COMPLETED. DO NOT ATTEMPT TO CLIMB DOWN FROM THE PLATFORM. WAIT FOR ASSISTANCE TO LEAVE THE CRADLE SAFELY.

4.2 - TO RESCUE OPERATOR IN PLATFORM

In a situation where an operator located in the platform needs to be rescued (for example in case of illness, injury or trapped against a structure making the control box inaccessible), the rescue personnel at ground level needs to obtain rapid and direct access to operating functions.

HAULOTTE® has implemented a control system for safely lowering the operator to the ground in the event of an emergency to enable him to receive the necessary treatment.

1. Turn the key of the control box activation switch (92) to the right to energize the ground control box. The platform box controls are de-energized.
2. Lower the platform from the ground control box.
3. Lower the platform using the platform raising/lowering selector (1) while simultaneously pressing and maintaining the Enable Switch (9).
4. Release it to halt lowering.

If a safety systems do not allow normal movement from the ground control box, lower the basket (or platform) using the T-handle on the chassis.



Once rescue operations are complete, write an incident report.

D - Operation instructions

5 - Transportation

5.1 - PUTTING IN TRANSPORT POSITION

During loading, ensure that :

- The loading ramp can support the machine weight.
- The loading ramp is correctly attached to transport vehicle.
- The loading ramp has sufficient grip surface.
- The transport vehicle must be parked on a level surface and must be secured to prevent rolling away while machine is being loaded or unloaded.

To climb the slope, move progressively the drive joystick (108).

If the slope is too steep, use a winch in addition to traction.

Do not place yourself below or too close to the machine during loading.

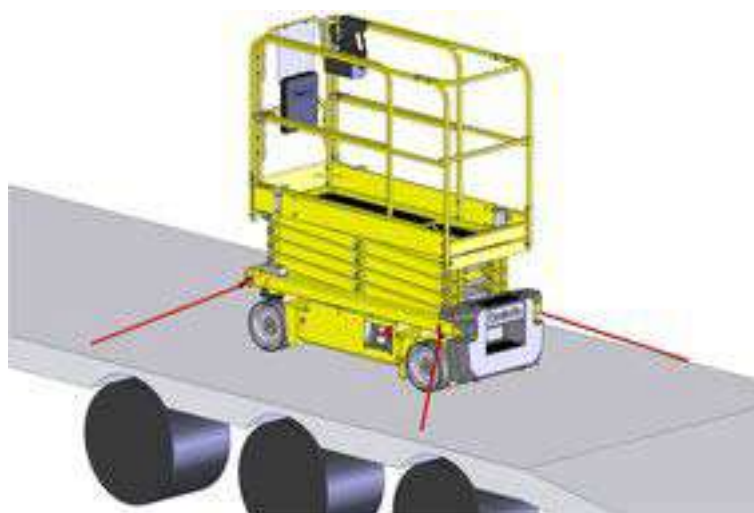
The machine must be completely in the stowed configuration :

- Check the platform is completely empty.
- Platform extension must be retracted in the locked position.
- Drive the machine onto the truck bed.
- Secure the machine to the tie down points provided (See picture).



The manual extension (if fitted) must be retracted and locked during transport or towing.

5.2 - MACHINE LAYOUT - OPTIMUM 8 - OPTIMUM 1931E



D - Operation instructions

5.3 - UNLOADING


Before unloading, check that the machine is in good condition.

- Remove the tie downs.
- At ground control box turn control box activation switch (92) to the left to energize platform box.
- At the platform controls, with 2 position selector (112) turned to the right, carefully and progressively move drive joystick (108) with Enable switch (123) pressed and maintained.


 **Warning : Upon starting a machine that has been secured and transported, the safety system may detect a false overload preventing all movement from the platform control box.**

To reinstate the system, lift the platform a few centimetres (inches) from the ground control box.


5.4 - TOWING

 **In the event of a machine breakdown, the machine can be towed a short distance to load it onto a transport vehicle :**

- Ensure that no one is in the platform during towing.
- Before towing, ensure that the platform is fully lowered.
- The platform must be empty.
- **ALWAYS** keep personnel and obstructions clear of the aerial work platform when brakes are released.

To tow a broken-down machine, release brake (Refer to  Section D 5.4.1 - Brake release). Perform this operation on flat ground with wheels chocked.

In the towing configuration, the machine braking system is inactive. Use of a drawbar is recommended :

- Do not exceed the maximum freewheel speed (Refer to  Section B 4.1 - Technical specifications).
- Do not exceed a grade of 25%.

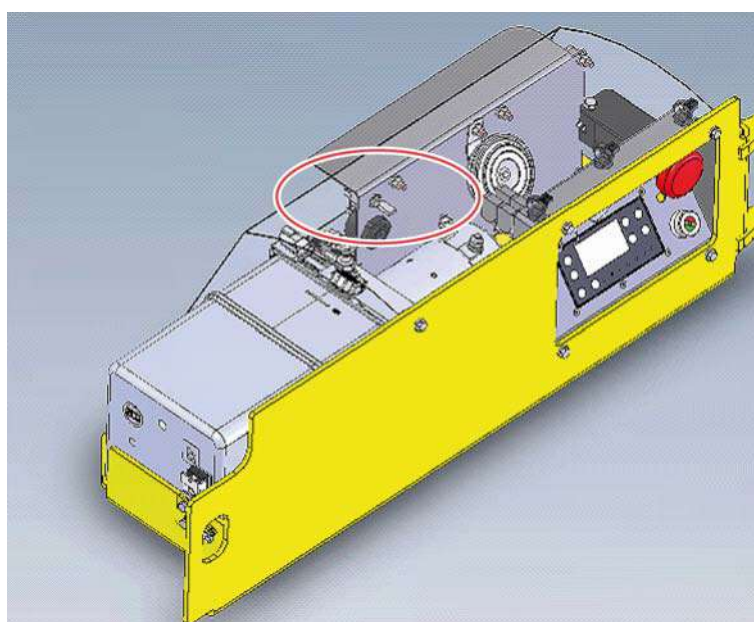
D - Operation instructions

5.4.1 - Free wheel mode

To tow a broken-down machine, release brake.

 Perform these operations on flat, horizontal ground. Failing that, block the wheels to immobilize the machine. During brake release operation, the machine is in free wheel mode and the brake system no longer functions.

If the machine is towed, the brakes on the drive wheels can be released using the switch located in the motor pump unit compartment.



To release the machine's brakes, the following conditions must be met :


- The platform control box or the ground control box must be selected.
- The machine must be completely stowed.
- No movement selected.
- The machine must not be tilted.

Push the brake release button for at least 3 s. An audible signal (beep) sounds.

Releasing the button disengages the brakes.

The brake release procedure stops automatically if the brake release button is pushed again, any actions are taken at the control boxes, the machine is turned off, or the control box in use is changed.

 In the towing configuration, the machine is no longer slowed down. Use a drawbar to avoid any risk of accident.

 Do not exceed 4.5 km/h (2.79 mph) .

D - Operation instructions

5.5 - STORAGE

 The machine can be stored in a designated area when not in use. If it has been stored for longer than 3 months without use then a periodic inspection must be conducted.

 Keep the batteries charged.  Section D 7.4 Optimize battery life

It is recommended that the machine is not stored or immobilized unfolded.

Ensure all access panels, doors and side compartment covers are shut and secured.

Turn the energizing key selector switch (92) at the ground control box to the "center" position to shut OFF the power.

Remove the energizing key to prevent unauthorized operation of the machine.

 Storing of the machine with an obstacle under the extended platform is forbidden.

 When machine is stored and not used for more than 1 week, check the battery's state of charge, recharge if necessary.

 To avoid any risk of corrosion on rods of cylinders during a storage period of more than 1 month :

- In a normal atmospheric environment : perform a complete cycle for the cylinders every 2 months while they are in storage.
- In harsh environments (high levels of salinity in the atmosphere: close to the sea, industrial environment with chloride emissions and/or humidity >70%), we recommend applying the following protection process :
 - Wash and rinse the entire machine with plenty of clean water.
 - Dry all the cylinder rods using an air gun.
 - Apply a solvent-based oil leaving an oily film after evaporation of the solvent directly to all rods left exposed when the machine is in storage position.
 - Re-apply the product every month.

 After washing the machine, make sure it is fully air-dry and does not contain moisture on corrosive parts (cylinders rods for example).

Do not wash any electrical components, particularly with high pressure washer. Wipe away dirt from around electrical components with a dry cloth.

D - Operation instructions

5.6 - LOADING BY RAMP



To avoid any risk of sliding during loading, ensure that :

- The loading ramp can bear the load.
- The loading ramp is correctly attached.
- The loading ramp has sufficient grip.



If the slope exceeds 25% grade, use a winch to assist in loading on to the ramp.



Never place yourself below or too close to the machine during loading.

A wrong move can lead to the tipping over of the machine and cause serious bodily and material accidents.

5.7 - UNLOADING BY RAMP



Before operating, check that the machine is in good condition.

If the machine has been damaged during transportation, contact the transporter in writing


1. Remove the tie downs.
2. Start the machine.
3. The ramp is in good condition and of sufficient capacity. The lifting equipment ie. slings, shackles, hooks, lifting beam etc. are in good condition and of sufficient capacity.

D - Operation instructions

5.8 - LIFTING OPERATION

During loading / unloading operation, if it becomes necessary to lift the machine using an overhead crane, it is important to respect the following :

- Put the machine in stowed position (Extension retracted).
- Ensure the platform is empty.
- Verify that lifting accessories are in good operation and match the technical specifications listed below. It is important that the lifting devices are attached only to the designated lifting eyes.
- Each of the slings used for lifting the machine must be adjusted to keep the machine level and to minimize the risk of damage to the machine.

- Anchorage point for lifting are identified / labeled by the following symbol .
- ONLY trained and authorized personnel should attempt to lift the machine.



Never lift the machine with slings attached to counterweight.

Procedure for the use of slings



Number of shackles	Number of slings	Length	Maximum load per sling and shackle
4	4	2 m / 6 ft 7 in	1000 kg / 2,205 lbs


D - Operation instructions

5.9 - LOADING AND UNLOADING WITH FORKLIFT

- Lower the platform.



The machine must be in the fully stowed transport position.

- Ensure that the machine controls are in the OFF position.
- Forklift used to load and unload must have adequate capacity (Refer to  Section B 4 Technical specifications).
- Adjust the forklift forks spread to match with the machine fork pockets.
- Carefully insert the forklift forks in the designated machine fork pockets.



Never place yourself below or too close to the machine during loading.

A wrong move can lead to machine tipping over and may cause serious injuries and material damage.

Unloading

- Carefully lift the machine and make sure that the machine weight is properly balanced.
- Slowly lower the machine and place it on the ground.

D - Operation instructions

6 - Cold Weather Recommendations

In extreme cold conditions, machines should be equipped with optional cold start kits.

N.B.-:INITIAL STARTING SHOULD ALWAYS BE PERFORMED FROM THE GROUND CONTROL BOX.

6.1 - ENVIRONMENTAL CONDITIONS

6.1.1 - Hydraulic oil

External environmental conditions can reduce performance of the machine if the hydraulic oil temperature does not reach its optimum range.

It is recommended to use the hydraulic oil according to weather condition. Refer to the table below.

Environmental conditions	SAE Viscosity grade
Ambient temperature between - 15°C (5°F) and + 40°C (+ 104°F)	HV 46
Ambient temperature between - 35°C (- 31°F) and + 35°C (+ 95°F)	HV 32
Ambient temperature between 0°C (+ 32°F) and + 45°C (+ 113°F)	HV 68

N.B.-:IT IS RECOMMENDED TO REPLACE LOW TEMPERATURE OIL AS THE AMBIENT TEMPERATURE REACHES + 15°C (59°F). IT IS NOT ADVISABLE TO MIX OILS OF DIFFERENT BRANDS OR TYPES.

D - Operation instructions



7 - Battery care and maintenance

7.1 - BATTERY RECHARGE

7.1.1 - On-board charger

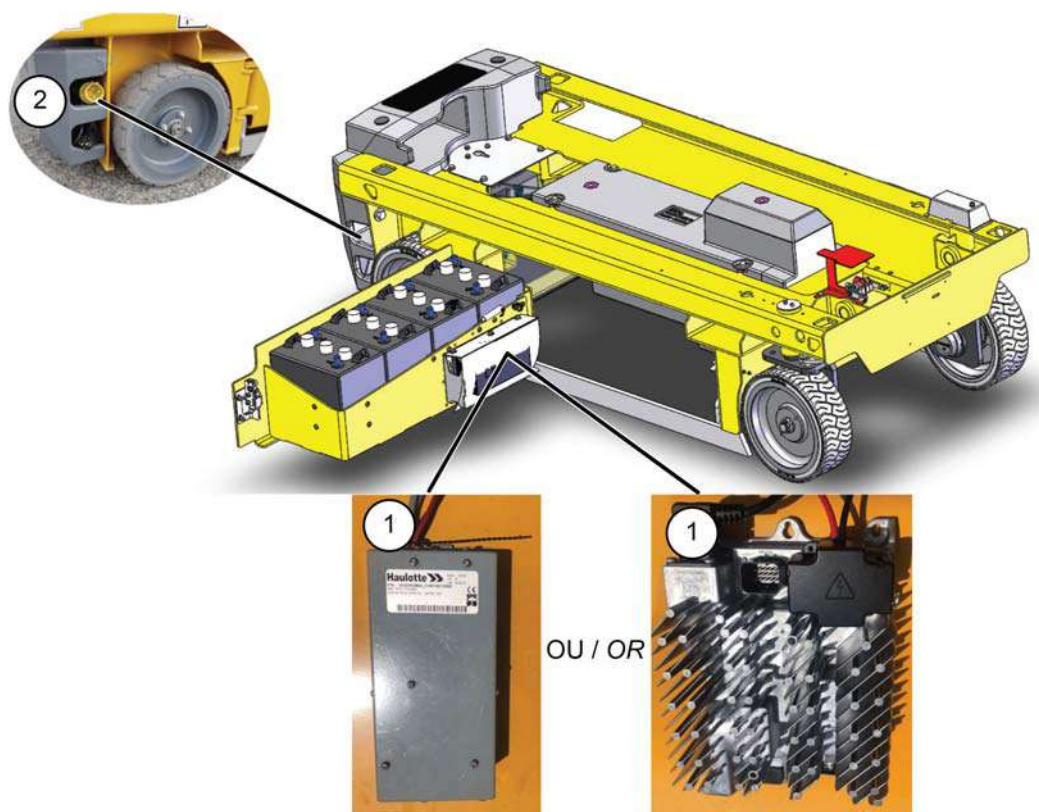
The on-board charger is used to charge the semi-drive batteries. The charger's power is 750W-1000W and the maximum intensity is 10A for 220V - 240V and 110V networks. Battery charging starts as soon as it is connected via the mains supply.

N.B.:-No MOVEMENTS ARE ALLOWED DURING BATTERIES CHARGING CYCLE AND WHILE CONNECTED TO AN EXTERNAL POWER OUTLET.

		
Battery charger	36V / 35A	36V / 27A
Electric power supply	190 - 265 Vac / 50Hz / 10A	85 - 265 Vac / 50-60Hz / 8A max
Battery voltage	24V	
Charging time	10h	

D - Operation instructions

Locations



Marking	Description
1	On-board charger
2	Battery charger mains cable



Never replace the charging cable without written permission from HAULOTTE®.

D - Operation instructions

7.1.2 - Battery charging






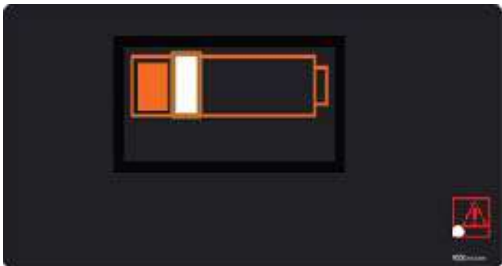
- Do not use an external charger or jump the batteries.
- Ensure the mains supply is compatible :
- Do not use a cable reel with the cable wound up.
- The socket must be able to deliver a current of 10 A.

Duration of charge cycle :


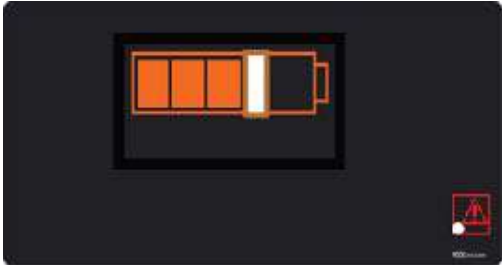
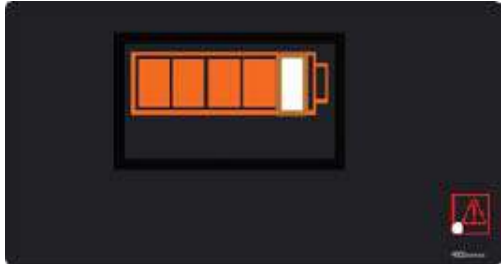


- 10 hours approximately, on 220 - 240 V AC network.

The charge cycle stops automatically when charging is complete.

It can take up to 24 hours for a full charge if the battery levels are very low (Charge status less than 5 %).

Internal parameter update		
Charging is going to start		
The first segment flashes		Charge from 0 % to 20 %
The second segment flashes		Charge from 20 % to 40 %

D - Operation instructions


The third segment flashes		Charge from 40 % to 60 %
The fourth segment flashes		Charge from 60 % to 80 %
The fifth segment flashes		Charge from 80 % to 100 %
Battery equalisation		Leave the batteries on charge(3h)
Charging is complete		Unplug the charging cable from the machine

D - Operation instructions

7.2 - BATTERY CARE AND MAINTENANCE

7.2.1 - Filling batteries

The procedure described below only applies to open lead acid batteries. 6 V open lead-acid battery blocks are composed of 3 2 V single cells connected together in series. The cells are immersed in an electrolyte composed of 1/3 sulfuric acid and 2/3 deionized water.

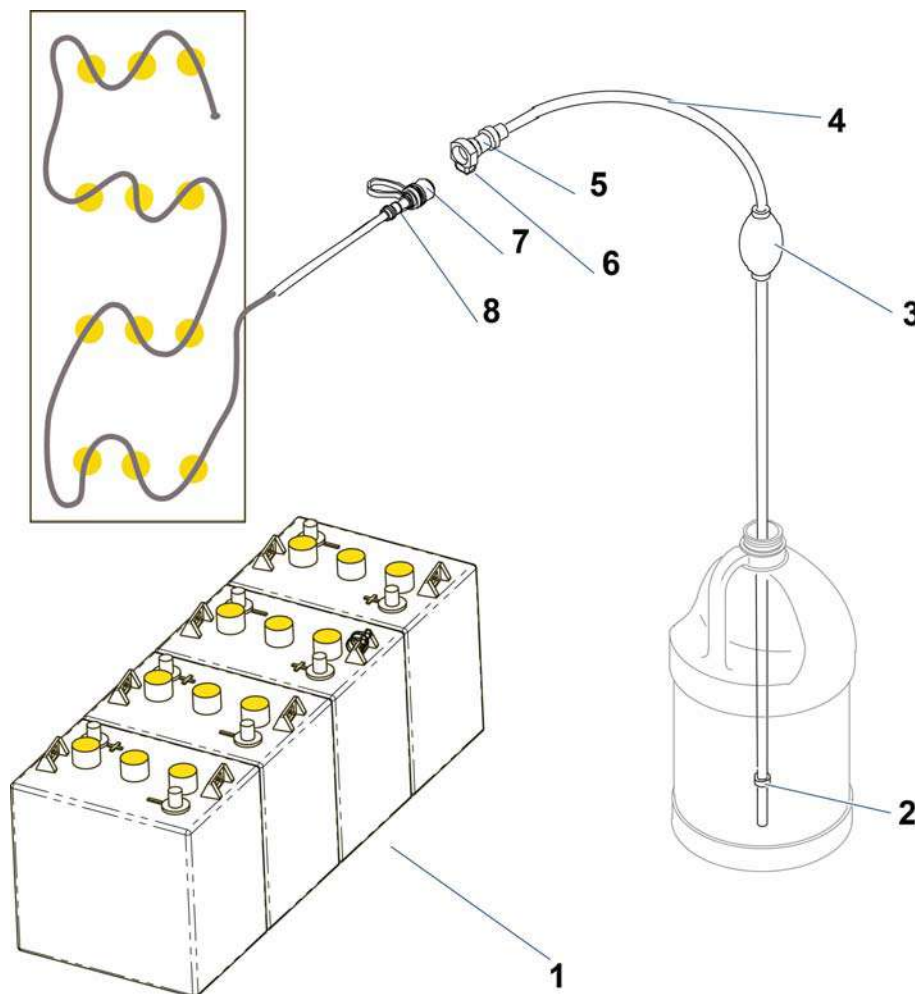
 The batteries must **ONLY** be filled after charging them fully. Failure to comply with these instructions may lead to the electrolyte overflowing, etc...

 The batteries **MUST** be filled when necessary or the batteries may be irreparably damaged. The lead plates oxidize in the air. They must always be covered with electrolyte.

 The water level in the batteries cannot be topped up if the temperature is lower than 0° as the distilled or deionized water freezes in the centralized filling system.

Procedure to fill the batteries manually – Option

Single - Point Watering System



D - Operation instructions

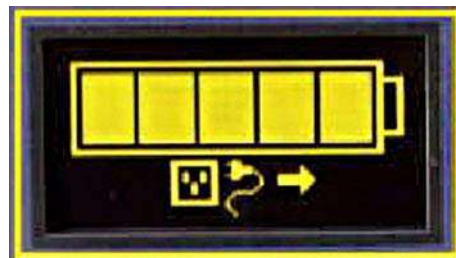
Marking	Description
1	Battery
2	Filtered intake
3	Hand pump
4	Hose
5	Female adapter
6	Push-button
7	Dust cover
8	Male adapter

N.B.:-COMPLETELY CHARGE THE BATTERIES BEFORE CONNECTING THE DISTILLED-WATER-FILLING UNIT.

D - Operation instructions

Procedure :

1. Launch a full charge of the battery and check the charge indicator.
2. Disconnect the batteries charger and put back the plug in its housing.



Levelling of the elements should always be done after charging the batteries. Watering a battery before charge (or with a low charge level) can lead to boil-over, resulting in potential bodily injury and potential damage to the watering system and the battery.

3. Open the battery compartment.



4. Immerse the filtered inlet (2) of the transparent hose (4) fitted with a hand pump (3) in a demineralized water canister (Supplied with the machine).
5. Press the hand pump (3) to prime it until the water rises in the hose (4)
6. Once the hand pump (3) is primed, remove the male connector (8) cap (7) from the black supply tube assembly
7. Connect the female connector (5) quick-hitch from the centralized filling system, including the hand-pump, to the male connector (8).
8. Press firmly on the hand pump to bring the distilled water to the batteries (1).
9. When the bulb (3) becomes resistant, this means that all the battery cells are filled appropriately.
10. Then uncouple the female connector (5) from the male connector (8) filling tube by pressing on the yellow button (6), then replace the cap (7) on the machine hose.
11. Close the battery compartment again.

D - Operation instructions

Procedure to fill the batteries automatically – Option

1. Open the battery compartment.
2. Open the cap.
3. Fill the can with demineralized water.
4. Correctly close the plug and battery compartment.
5. Fully recharge the batteries in order to restart an automatic filling or activate the automatic filling from the Activ'Screen of the ground control box.



A

B

C

D

E

F

G

H

I

D - Operation instructions

7.2.2 - Desulfation charge

Normal battery use leads to sulfation of the lead plates during discharge (Formation of lead sulfate). Recharging the battery dissolves the lead sulfate. The plates are desulfated.

Moreover, sulfation also appears if the battery self-discharges during storage in a low state-of-charge (< 70%).

As the battery ages, the lead sulfate may become harder and harder and increasingly difficult to eliminate by normal charging. This leads to a loss of autonomy. The desulfation charge is a way of regenerating the battery.



To improve the efficiency of the desulfation charge, you are advised to launch it for a battery discharged to a state-of-charge less than 30%.

Procedure :

- Go to the machine set-up menu → 3.3 Machine config → 3.3.1 Option setting → Desulfation charge.

D e s u l f a t i o n c h a r g e



- The option is active and will be implemented during the next mains charge.
- Charging time is increased up to 72 h.
- For high efficiency in this charging mode, the batteries must be below 30%.

D - Operation instructions

7.3 - OPTIMISE BATTERY LIFE

To optimize battery performance and life-time, you are advised to follow the recommendations below :

- Carry out regular battery maintenance as described.
- Do not store the machine discharged (Duration greater than 72 hours).
- Carry out full charges regularly.
- Do not keep a machine in a state-of-charge less than 70% for no useful purpose.



- **A full recharge of the batteries is recommended every 30 days that the machine is used.**

Keep the top of the batteries clean and dry. Incorrect connection or corrosion may cause a high loss of power.

	Full charge	Filling control	Desulfation charge
In use			
As soon as possible	X		
If state-of-charge < 50% at the end of a working day	X		
Every 30 days of use	X		
Before placing in storage	X		
1 time a week	X	X	
1 time every 2 weeks		X	
1 time a month		X	
1 time every 6 months			X
In storage			
1 time a month	X		

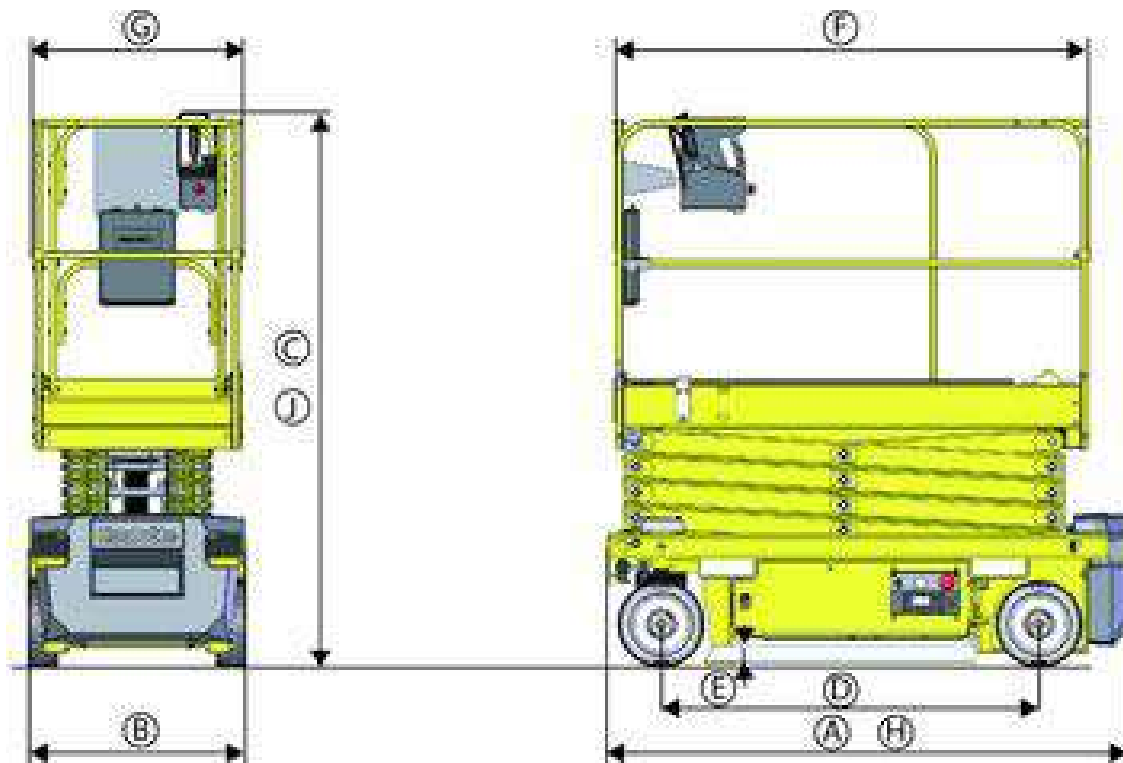


- **The battery's water consumption depends on its use. You are advised to check the water level 1 time a week.**

E - General Specifications

1 - Machine dimensions

Stowed / Transport position : Configuration that takes the minimum floor space necessary for storage and / or delivery of the machine - Access position.



E - General Specifications

CE, AS and EAC standards

Machine		OPTIMUM 8	
Marking	Specifications - Dimensions	SI	Imp.
A	Overall length of machine	1,89 m	6 ft 2 in
B	Overall width of machine	0,79 m	2 ft 7 in
C	Overall height of machine	1,99 m	6 ft 6 in
D	Wheel base	1,38 m	4 ft 6 in
E	Ground clearance - Pothole mechanism deployed with platform raised	2,2 cm	1 in
	Ground clearance - Pothole mechanism retracted with platform fully lowered	6 cm	3 in
F X G	Platform dimensions	1,73 m x 0,74 m	5 ft 8 in x 2 ft 5 in
H	Storage length	1,89 m	6 ft 2 in
J	Storage height	1,99 m	6 ft 6 in

ANSI and CSA standards

Machine		OPTIMUM 1931 E	
Marking	Specifications - Dimensions	SI	Imp.
A	Overall length of machine	1,89 m	6 ft 2 in
B	Overall width of machine	0,79 m	2 ft 7 in
C	Overall height of machine	1,99 m	6 ft 6 in
D	Wheel base	1,38 m	4 ft 6 in
E	Ground clearance - Pothole mechanism deployed with platform raised	2,2 cm	1 in
	Ground clearance - Pothole mechanism retracted with platform fully lowered	6 cm	3 in
F X G	Platform dimensions	1,73 m x 0,74 m	5 ft 8 in x 2 ft 5 in
H	Storage length	1,89 m	6 ft 2 in
J	Storage height	1,99 m	6 ft 6 in

E - General Specifications

2 - Major component masses

Specifications	OPTIMUM 8	OPTIMUM 1931 E
	SI	Imp.
Frame assembly mass	948 kg	2090 lbs
Scissors assembly mass	430 kg	950 lbs
Platform assembly mass	125 kg	275 lbs
Drive wheel mass	19 kg	40 lbs
Steer wheel mass	19 kg	40 lbs
Central counterweight mass	248 kg	550 lbs
Moulded (Steps) counterweight mass	244 kg	540 lbs

3 - Acoustics and vibrations

The acoustics and vibrations specifications are based upon the following conditions :

- The airborne noise emissions at workstation are determined per European Directive 2006/42/CE.
- The guaranteed sound power level LWA (displayed on the product) is determined per European Directive 2000/14/CE.
- The vibrations transmitted by the machinery to the hand/arm system and to the whole body are determined per European Directive 2006/42/CE.

Specifications	
Sound pressure level at workstation	< 70 dBA
Vibrations hand/arm	Vibration transmitted by this MEWP to the hand-arm does not exceed 2,5 m/s ² (98,4 in/s ²)
Vibrations whole body	Vibration transmitted by this MEWP to the whole body does not exceed 0,5 m/s ² (19,6 in/s ²)

E - General Specifications

4 - Wheel/Tire assembly

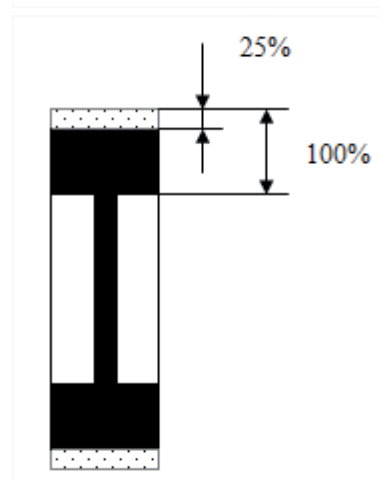
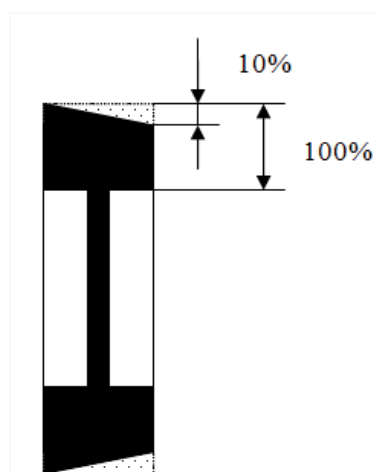
4.1 - TECHNICAL SPECIFICATIONS

Component	Standard wheel
Reference number	Solideal
Type	Solid tires/tyres
Size	316 mm / 108 mm (12,5 in/ 4,25 in)
Torque	115 Nm (84.81 ft lbs)

4.2 - INSPECTION AND MAINTENANCE

Replace the wheels and the tires if any of the following conditions exist :

- Presence of cracks, damage, deformation or other faults on the hub
- Damage to the tire :
- Cut or hole > 3 cm (2 in) in the rubber side wall.
- Blister or pronounced lump on the external and lateral wall.
- Damaged wheel stud.
- Damage or wear on the side wall to the extent that the reinforcing wire is visible.
- Consistent wear of the ground contact surface greater than 25%



Tires and rims are critical components for the stability of the machine. For safety reasons :

- Use only HAULOTTE® spare parts according to the technical characteristics of the machine. Refer to the spare parts catalog.
- Do not replace factory-installed tires with tires of different specifications or ply rating.

E- General Specifications

4.2.1 - Procedure of replacement

- Slightly lift the machine using the lifting points of the frame.
- Place a wooden spacer under the frame to support the machine after lifting off the ground.



- Straighten the bent tooth of the washer which restricts the nut rotation. Use a screwdriver and a hammer.

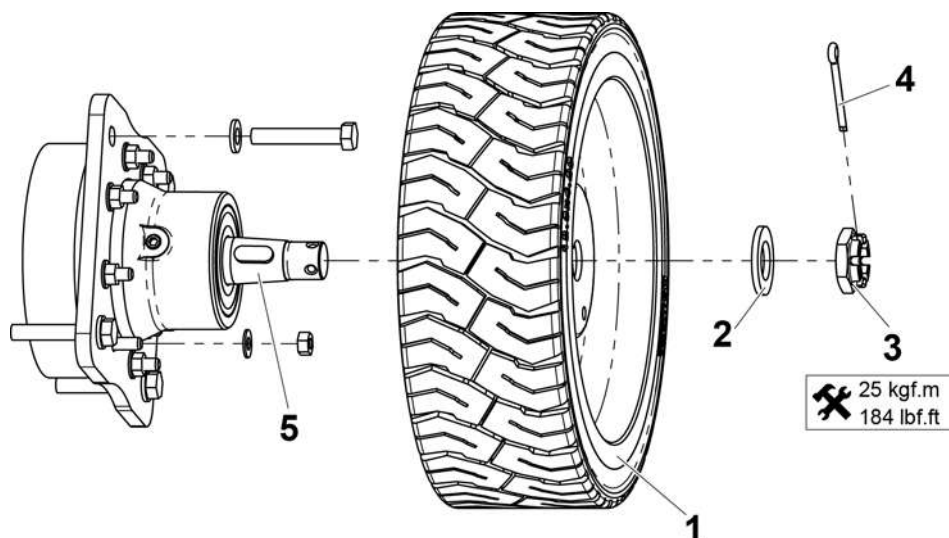


- Use the locknut socket TMFS5 to loosen the nut.
- Remove the nut and the washer.
- Remove the wheel (use an extractor if necessary).



E - General Specifications

Reassembly of the wheel



Marking	Description
1	Wheel
2	Washer
3	Nut
4	Pin
5	Motor shaft

- Use a new flat washer (2700500110).
- Use a new nut (4000503700).

E- General Specifications

1. Check that the shaft key is well positioned in the motor shaft.
2. Mount the wheel on the motor shaft.
3. Install the washer first then the nut.
4. Tighten the wheel nut to the recommended torque : 250 Nm (184 ft.lbs).
5. Add tightening until a groove of the nut is in coincidence with one hole of the shaft of the motoreducer.
6. Insert the pin (2352101250) into its seating.
7. Bend over the cotter pin legs to secure the nut.



E - General Specifications

5 - Options

5.1 - PIPE HOLDER OPTION

5.1.1 - Description

This attachment is an assembly designed to transport pipes and tubes. The assembly comprises of 2 cradles securely attached to the platform. The tube should be placed in the cradles and securely fixed to them with a strap.

5.1.2 - Characteristics

Specifications	OPTIMUM 8	OPTIMUM 1931 E
	SI	Imp.
Weight of the carrier	9 kg	20 lbs
Weight of the equipment on the carrier	50 kg	110 lbs
Maximum load surface	0,6 m ² (Ø 0,2 m x 3 m)	6.46 sq.ft (Ø 8 in x 9 ft 10 in)
Maximum wind speed allowed	0 m/s - 0 km/h	0 mph

5.1.3 - Safety precautions



- Please read and assimilate the instructions before using the attachment.
- This attachment is designed for transporting pipes and tubes. Do not use this attachment for transporting other types of load. .
- Do not suspend loads.
- Do not overload the attachment and ensure that the material is correctly attached by straps.
- Do not exceed the maximum allowable platform capacity. The combined weight of the attachment, load, the occupants, the tools and any other equipment must not exceed the maximum allowable platform capacity.
- Do not load tubes whose surface area exceeds the maximum authorized surface area. Exposing an additional surface area to the wind reduces machine stability. Do not install any other attachments that increase the surface area exposed to the wind.
- Do not use the machine if the wind speed exceeds the authorized limit of the attachment.
- The cradles should always be positioned such that they are within the platform. Position the bottom end of the cradles such that they are resting on the platform floor.
- When maneuvering, ensure you maintain a safe distance between the load and the obstacles in the work environment.

E- General Specifications

5.1.4 - Pre-operation inspection

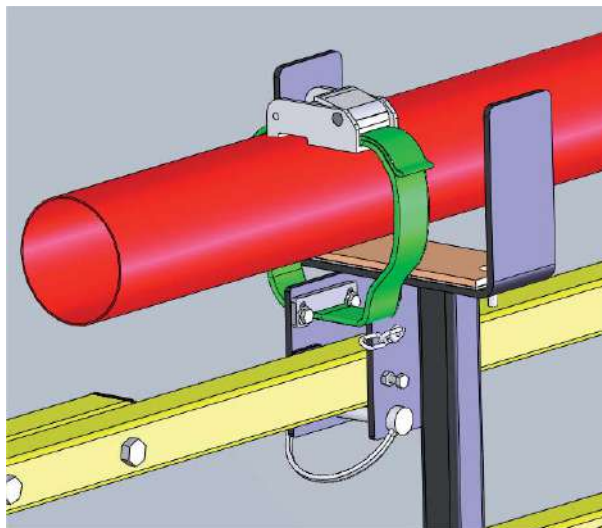


- Check that the cradle has no cracks or other damage.
- Check that the cradle is correctly installed and secured to the platform (Ensure fastening screws are tightened and pins correctly positioned).
- Check that the information decal is present on the cradle and is legible.
- Check that the strap(s) is(are) not twisted or torn.
- Check that the position of the load and attachment is not obstructing access to the platform or the controls.
- Check that the position of the attachment and the load is not reducing visibility during maneuvers in the work environment.

5.1.5 - Operation

- Position and centre the load to rest on the 2 cradles.
- Securely attach the load to each cradle with supplied straps.

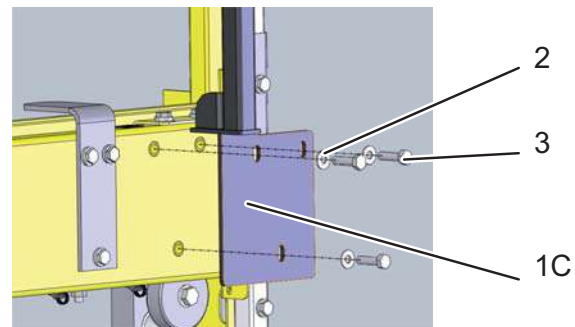
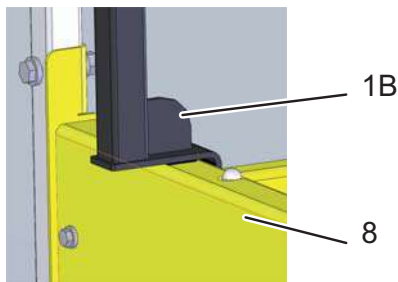
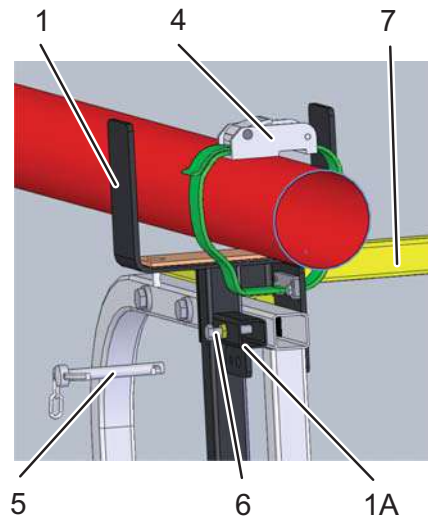
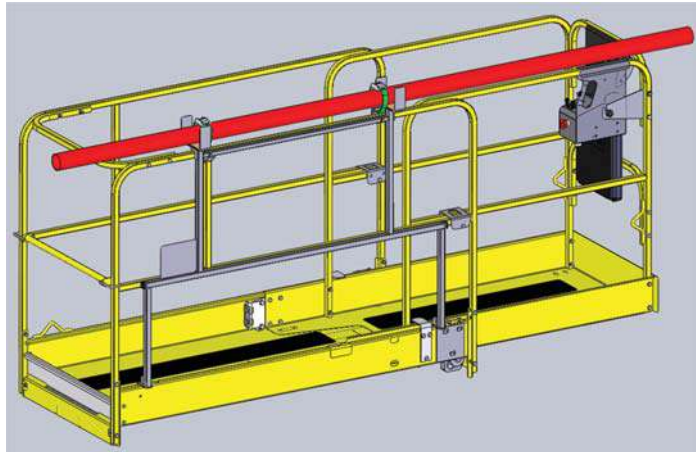
Strapping example(s)



E- General Specifications

5.1.6 - Disassembly - Assembly

OPTIMUM 8 / 1931 E



Marking	Description
1 - 1A - 1B - 1C	Carrier
2	Spring washer
3	Fastening screw
4	Strap
5	Dowel pin
6	Adjustment screw
7	Guardrail
8	Platform

- Straddle the support pipes (1, 1A, 1B) and (1C) on the structure of the fixed or folding guard rails (7).
- Lock in place with the pin (5).
- Tighten the 3 screws (3) and 3 washers (2) to the recommended torque

N.B.:-TORQUE REQUIREMENTS : 22 Nm (16 FT LBS)

- Pre-operation test : Place and secure the load of 50 kg (110 lbs) max. on the cradle. Ensure that the cradle can support the load and that there is no visual structural damage.

E- General Specifications

5.1.7 - Specific decals

Location of the decals



OPTIMUM 8 / 1931 E

Marking	Description	Quantity	Part number
1	Risk of overturning	1	CE, AS and EAC standards: 4001057070 ANSI and CSA standards : In english : 4000426070 In french : 4000415300 In spanish : 4000426060

E - General Specifications

5.2 - FOLDING GUARDRAILS

5.2.1 - Description

Folding guardrails system is designed to allow guardrails to be lowered to reduce the overall height of the machine.

This system facilitates moving the machine through low height doorways/passages.

5.2.2 - Safety precautions



- Fully lower the platform to the stowed position.
- Take care to avoid trapping the hands while folding the guardrails.
- User must wear gloves.
- Keep hands clear of pinch points.
- Perform the folding of the guardrails from outside of the platform.

A

B

C

D

E

F

G

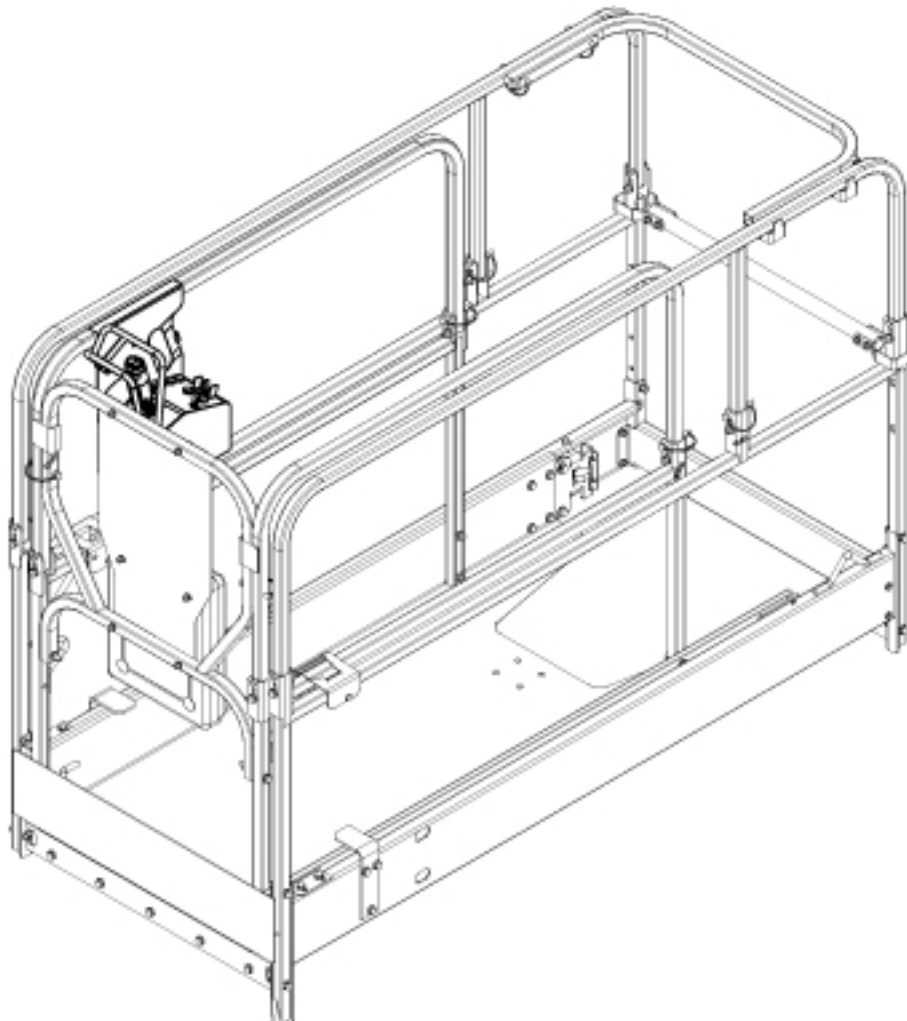
H

I

E- General Specifications

5.2.3 - Fold down operation

- Extension deck must be fully retracted and in locked position.
- The intermediate sliding entrance bar must be at its lowest position.



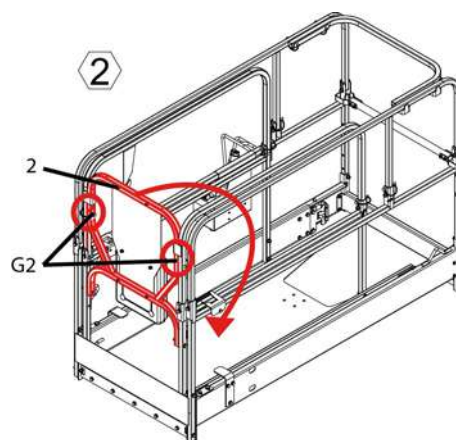
Remove platform control box from its designated position and place it on platform floor



E- General Specifications

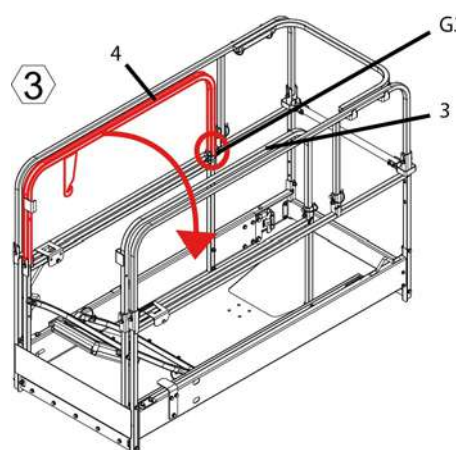
Remove the 2 pins (G2) from the platform front guardrails.

Tip element (2) inwards onto the platform floor.



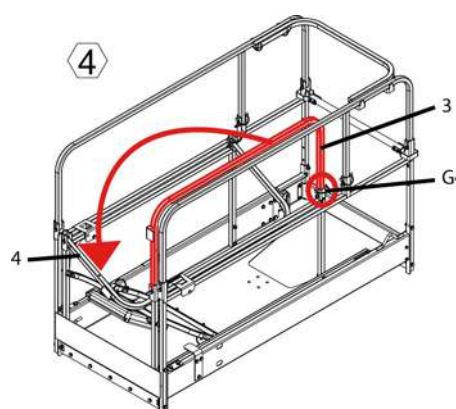
Remove pin (G3) from the right hand extension guardrail.

Lift the guardrail and slowly tip it inwards until it contacts element (3).



Remove pin (G4) from the left hand extension guardrail.

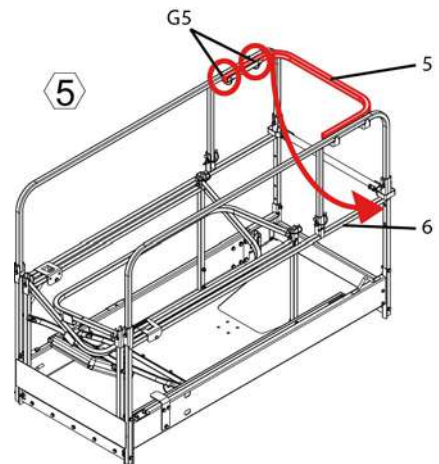
Lift the guardrail and slowly tip it inwards until it contacts element (4).



E- General Specifications

Remove the 2 pins (G5).

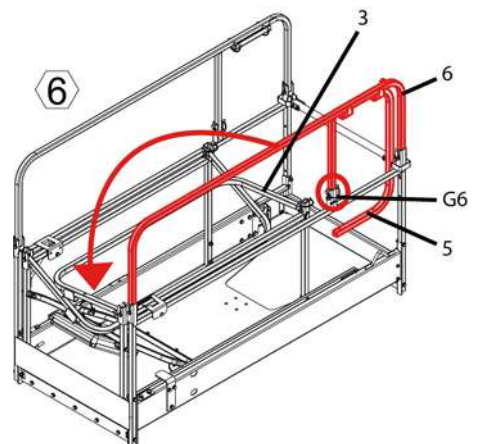
Lift and tip inwards and down until it contacts the element (6).



Remove the pin (G6).

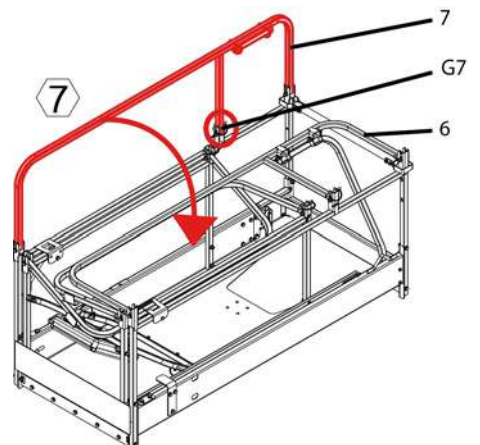
Lift and tip left hand main railing inwards until it contacts the element (3).

Do not release the element (5).



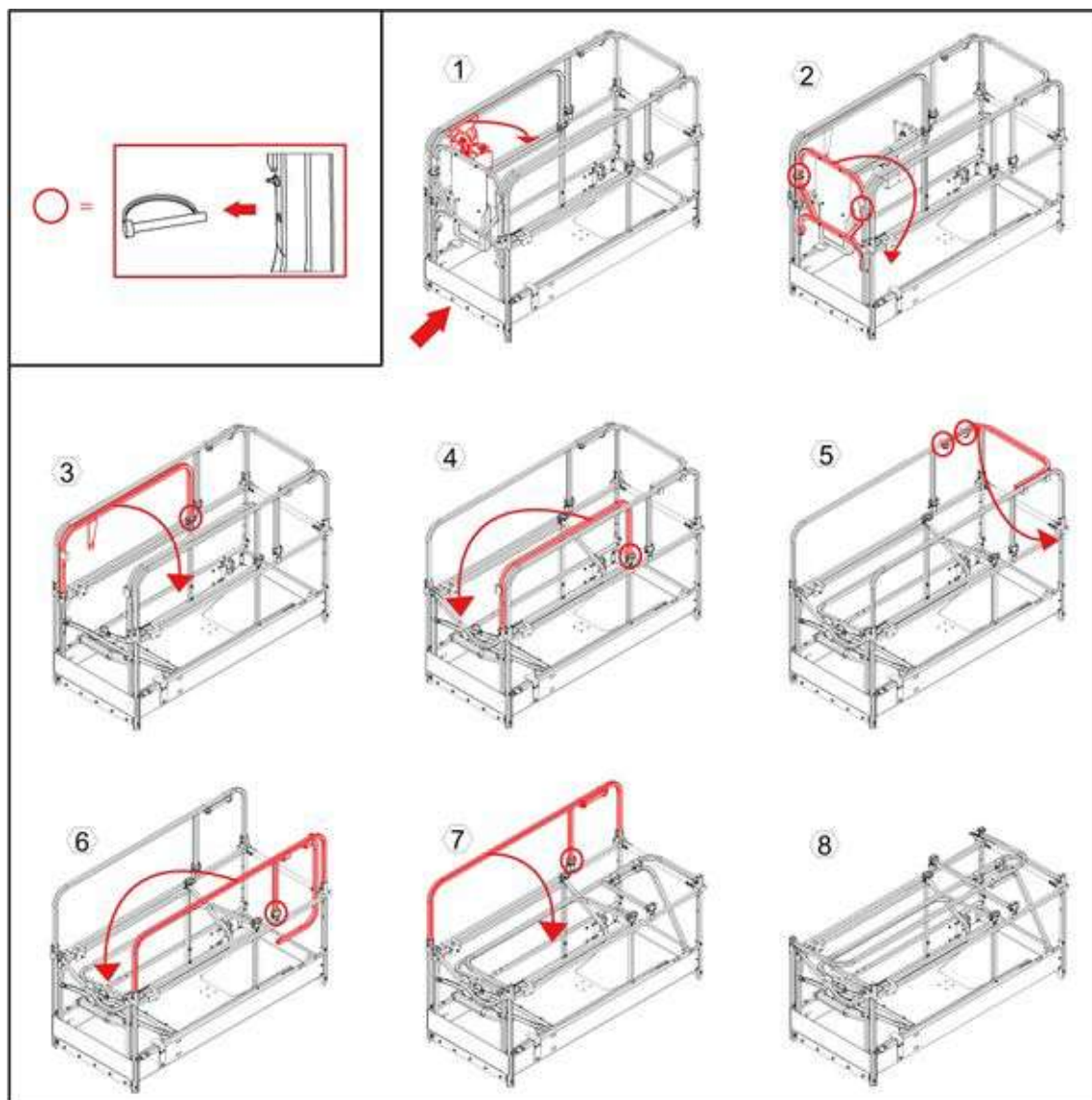
Remove the pin (G7).

Lift and tip right hand main railing inwards until it contacts the element (6).



E - General Specifications

5.2.4 - Specific decals



Marking	Description	Quantity	Part number
8	Explanation work and transport positions	1	4000557230

5.2.5 - Raising guardrails to working position

To raise the folded guardrails to the vertical working position :

- Follow the fold down operational sequence in the reverse order.
- Ensure all pins are installed and secured.

E- General Specifications

5.3 - PANEL CARRIER

5.3.1 - Description

This attachment is an assembly designed to transport panels. The assembly comprises of a tray that extends along the length of the floor. The panel(s) should be placed in the tray and secured to the guard rail with a strap (not supplied).

5.3.2 - Characteristics

Specifications	OPTIMUM 8	OPTIMUM 1931E
	SI	Imp.
Weight of the carrier	7 kg	15 lbs
Maximum allowable weight of the panels on the carrier	50 kg	110 lbs
Maximum load surface	3 m ² (L 2,5 m x H 1,2 m)	32 sq.ft (L 8 ft x H 4 ft)
Maximum wind speed allowed	0 m/s - 0 km/h	0 mph

5.3.3 - Safety precautions



- Please read and assimilate the instructions before using the attachment.
- This attachment is designed for transporting panels. Do not use this attachment for transporting other types of load.
- Do not suspend loads.
- Position the panel(s) centrally on cradle with deck extended.
- Secure the panel in place with the use of strap.
- Do not overload the attachment and ensure that the panels are secured with straps.
- Do not exceed the maximum allowable platform capacity. The combined weight of the attachment, load, the occupants, the tools and any other equipment must not exceed the maximum allowable platform capacity.
- Do not load panels whose surface area exceeds the maximum authorized surface area. Exposing an additional surface area to the wind reduces machine stability. Do not install any other attachments that increase the surface area exposed to the wind.
- Do not use the machine if the wind speed exceeds the authorized limit of the attachment.
- When maneuvering, ensure you maintain a safe distance between the load and the obstacles in the work environment.

E - General Specifications

5.3.4 - Pre-operation inspection



- Check that the cradle has no cracks or other damage.
- Check that the cradle is correctly installed and secured to the platform (Ensure fastening screws are tightened and pins correctly positioned).
- Check that the information decal is present on the cradle and is legible.
- Check that the strap(s) is(are) not twisted or torn.
- Check that the position of the load and attachment is not obstructing access to the platform or the controls.
- Check that the position of the attachment and the load is not reducing visibility during maneuvers in the work environment.

5.3.5 - Operation

- Position and center the load to rest on the cradle.
- Securely attach the load on the cradle with straps.

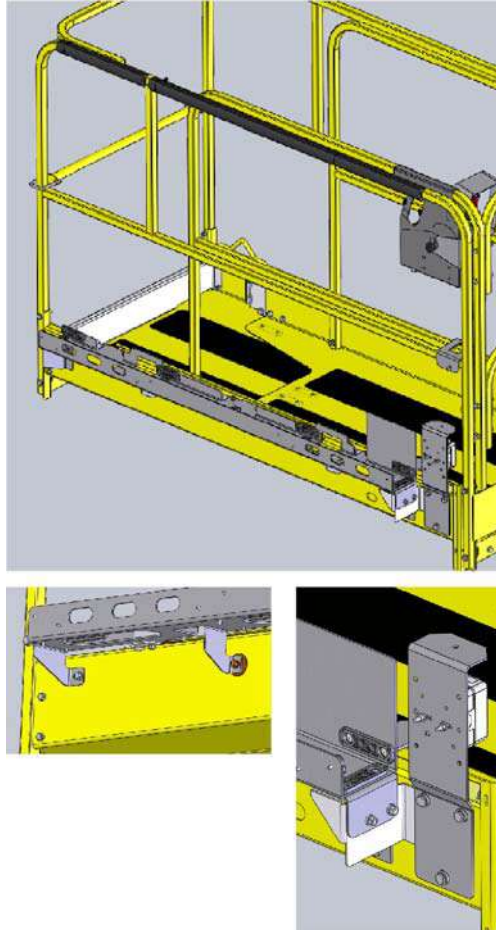
Strapping example(s)



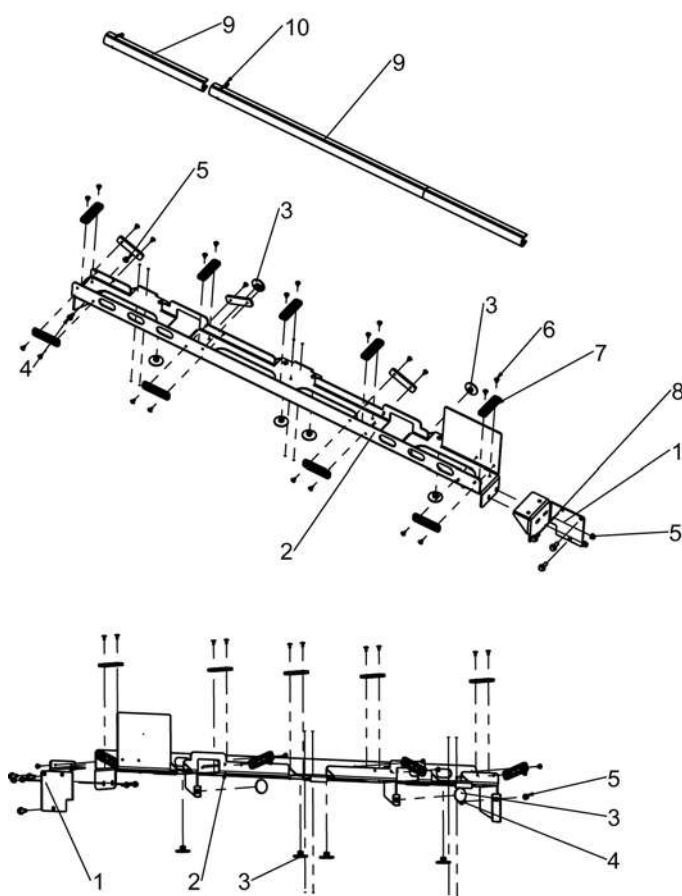
E- General Specifications

5.3.6 - Disassembly - Assembly

OPTIMUM 8 - OPTIMUM 1931 E



E- General Specifications



Marking	Description
1	Sheet metal support
2	Sheet metal support
3	Stop
4	Screw
5	Nut
6	Rivet
7	Protection pad
8	Screw
9	Bumper
10	Clamp

E- General Specifications

1. Position the sheet metal support (2) against the sheet metal support (1). Tighten the screws (4) and the nuts (5) to the recommended torque.
2. Place the protection pads (7), the rivets (6) and the stops (3).
3. After checking that the decal is on the cradle, position the sheet metal support (1) on the outside of the guardrail on the side of the control box.
4. Tighten the screw (4) and the nut (5) to the recommended torque. Tighten the screws (8) to the recommended torque.
5. Position the bumpers (9) and fasten with clamps (10).

- N.B.-:-TORQUE REQUIREMENTS : 10 NM (7 LBS/FT) FOR M6 AND 22 NM (16 LBS/FT) FOR M8.***
- Pre-operation test : Place and secure the load of 50 kg (110 lbs) max. on the cradle. Ensure that the cradle can support the load and that there is no visual structural damage.

E - General Specifications

5.3.7 - Specific decals

Location of the decals



OPTIMUM 8 - OPTIMUM 1931 E

Marking	Description	Quantity	Part number
1	Danger	1	CE, AS and EAC standards: 4001057080 ANSI and CSA standards : In french : 4000676050 In english : 4000676060 In spanish : 4000676070

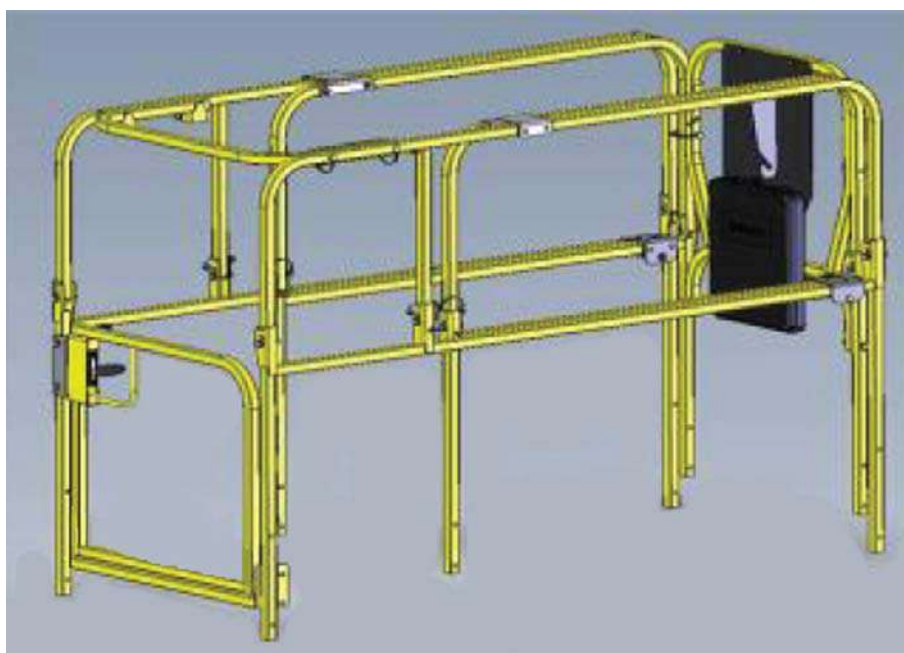
E- General Specifications

5.4 - SWING GATE

5.4.1 - Description

"SWING GATE" consists of a laterally mounted pivoting $\frac{1}{2}$ gate with closing latch, which enables a better access to platform. Spring loaded hinges and a latching mechanism allows the gate to swing inwards only.

S w i n g g a t e



5.4.2 - Characteristics

Width of the gate : 600 mm / 24 in

5.4.3 - Safety precautions



- The gate is part of the guardrail system and must be securely fastened after entering the platform.
- Pay attention to the toeboard when entering or leaving the platform.

5.4.4 - Pre-operation instructions

- Inspect that the latching mechanism is securely fastened.
- Check the hinges and latch operate correctly and are not deformed.
- Ensure that the gate returns automatically to the closed and fastened position after entering or exiting the platform.

F - Maintenance

1 - General

As an owner and/or operator of Haulotte equipment, your Safety is of utmost importance to HAULOTTE®, which is why HAULOTTE® places such a high priority on product safety.

INSPECTIONS are not only required by HAULOTTE®, but may also be required by industry standards and/or local regulations.

To ensure your equipment continues to achieve the level of performance set in the factory, it is important to maintain it regularly. We remind you that it is strictly forbidden to make any modifications. Regular and timely inspections will reduce equipment down time as well as prevent possible injury.

N.B.: -DO NOT OPERATE UNLESS YOU ARE FAMILIAR AND TRAINED IN THE PRINCIPLES OF SAFE MACHINE OPERATION.

Overview :

- Walk-around inspections take only a few minutes at the beginning and end of each shift – one of the best ways to prevent mechanical problems and safety hazards.


What to Do :

- Use your senses: sight, smell, hearing and touch.

Frequency :

- Check your machine periodically during your entire workday.
- Make sure to do your inspection the same way every time.
- Complete one of these inspections at the start and end of each shift.


N.B.: -IF DAMAGE OR UNAUTHORIZED MODIFICATIONS ARE DISCOVERED, THE MACHINE MUST BE REMOVED FROM SERVICE UNTIL REPAIRS ARE MADE BY A QUALIFIED SERVICE TECHNICIAN.

It is the owner's responsibility to ensure the required maintenance as recommended by Haulotte is completed prior to the operation of the machine. 

If regular maintenance is not carried out, this may :

- Void the warranty.
- Cause machine malfunction.
- Reduce machine reliability and shorten its service life.
- Jeopardize operator safety.

HAULOTTE Services® technicians are specially trained to carry out extensive repairs, interventions or adjustments on the safety systems or elements of HAULOTTE® machines. They carry genuine HAULOTTE spare parts and tools as required, and also provide fully documented reports on all work completed.

The inspection and maintenance table, identifies the role and the responsibilities of each party in periodical machine maintenance.  Section C 3 - Inspection and Functional test.

F - Maintenance

2 - Maintenance Schedule

This section provides the necessary information needed to place the machine in safe operation. In accordance with the regulations that are currently applicable, this machine is designed to have a 10 year life span in normal usage conditions. The life may be extended or reduced dependent on the severity of operating conditions, the machine condition itself and by conducting effective inspections and maintenance in addition to other external factors. There are a number of factors which can affect the design life including but not limited to, severity of operating conditions/routine maintenance which should be carried out in accordance with this manual.

Severity of operating conditions may require a reduction in time between maintenance periods. Machines that have been out of service or have not been in use for more than 3 months must undergo a periodic inspection before the machine is put back into service.

Maintenance must be carried out by a competent company or person familiar with mechanical procedures.

Maintenance operations performed must be recorded in a register / log book of the machine.

F - Maintenance

3 - Inspection program

3.1 - GENERAL PROGRAM

The machine must be inspected on a regular basis at intervals of no less than once 1 per year. The purpose of the inspection is to detect any defect which could lead to an accident during routine use of the machine. Local standards and regulations may require more frequent inspections.

HAULOTTE® requires Reinforced and Major Inspections to be carried out on the product to extend its service life.

Inspections must be carried out by a competent company or person.

The inspection results must be recorded in the safety register or machine log book controlled and overseen by the company manager. This register or machine log book and the list of competent repair persons must be made available to the government work inspector and HAULOTTE Services®.

When	Responsible	Stakeholder	What
Before sale	Owner (or renter)	Competent technician or qualified technician HAULOTTE Services®	Periodic inspection
Before rent	Owner (or renter)	Competent technician or qualified technician HAULOTTE Services®	Daily inspection
Before use or every change of user	User	User	
Annually (1 year)	Owner (or renter)	Competent technician or qualified technician HAULOTTE Services®	Periodic inspection
5 years	Owner (or renter)	Qualified technician HAULOTTE Services®	Reinforced inspection
10 years	Owner (or renter)	Qualified technician HAULOTTE Services®	Major inspection

3.2 - DAILY INSPECTION

The Daily inspection includes a visual inspection, operational checks and testing of the safety systems. This must be conducted by the operator before using the machine.

This inspection is the responsibility of the user. Refer to  Section C 3.1 - Daily inspection.

F - Maintenance

3.3 - PERIODIC INSPECTION

The Periodic inspection is a thorough evaluation of the operation and safety features of the machine.

It must be conducted before the sale / resale of the machine and/or at least once every year. Local regulations may have specific requirements on frequency, and content of inspections.

The severity of operating conditions may require frequent inspections.

This inspection is the responsibility of the owner, and inspections must be carried out by a competent company or person.

This inspection is in addition to the daily inspection.

This inspection should also be conducted after :

- Extensive dismantling and reassembly of major components.
- Repairs involving the machine's essential components.
- Any accident causing stress to the machine.

3.4 - REINFORCED INSPECTION

The Reinforced inspection is a thorough evaluation of the machine's structural components, to ensure proper functionality of the machine.

This evaluation must occur at a frequency of 5000 hours or every 5 years.

This inspection is the responsibility of the owner, and it must be conducted by a HAULOTTE Services® technician or by a competent company or person.

This inspection includes :

- Daily inspection
- Periodic inspection

N.B.-:-REFER TO THE MAINTENANCE MANUAL FOR DETAILS.

3.5 - MAJOR INSPECTION

The Major inspection is a thorough evaluation of the machine's integrity and proper functioning; after a normal service life of 10 years.

This evaluation must take place after 10 years of operation and then repeated every 5 years thereafter.

The severity of operating conditions may require frequent inspections.

This inspection is the responsibility of the owner, and it must be conducted by a HAULOTTE Services® technician or by a competent company or person.

This inspection includes :

- Daily inspection
- Periodic inspection
- Reinforced inspection

N.B.-:-REFER TO THE MAINTENANCE MANUAL FOR DETAILS.

F - Maintenance

4 - Repairs and adjustments

Extensive repairs, interventions or adjustments on the safety systems or components must be performed by a HAULOTTE Services® technician. Use original spare parts and components only.

N.B.-:HAULOTTE SERVICES® TECHNICIANS ARE TRAINED PROFESSIONALS TO PERFORM EXTENSIVE REPAIRS, INTERVENTIONS AND ADJUSTMENTS ON THE SAFETY SYSTEMS OR COMPONENTS OF HAULOTTE® MACHINES. THE TECHNICIAN CARRIES GENUINE HAULOTTE® SPARE PARTS AND TOOLS AS REQUIRED, AND ALSO PROVIDES FULLY DOCUMENTED REPORTS ON ALL WORK COMPLETED.

HAULOTTE Services® will not take responsibility for any outcomes resulting from inferior services or repairs performed by other unauthorised personnel.

HAULOTTE® reminds that NO modifications SHALL be carried out without the written permission of HAULOTTE®.

Any unauthorised repairs/modifications will void HAULOTTE® warranty.

To check for safety campaigns, consult our website : www.haulotte.com



N.B.-:WHEN DISPOSING OR SCRAPPING THIS MACHINE, PLEASE CONSIDER APPROPRIATE METHODS OF RECYCLING. ANY ITEMS THAT REQUIRE SPECIFIC DISPOSAL ARE LISTED WITH INSTRUCTIONS IN THE MAINTENANCE MANUAL.

G- Other information

1 - Conditions of warranty

Our warranty conditions and extension contracts are now available on the websites of our sales network : www.haulotte.com

A

B

C

D

E

F

G

H

I

G- Other information







2 - Subsidiary contact information

	<p>HAULOTTE FRANCE PARC DES LUMIERES 601 RUE NICEPHORE NIEPCE 69800 SAINT-PIERRE TECHNICAL Department: +33 (0)820 200 089 SPARE PARTS : +33 (0)820 205 344 FAX : +33 (0)4 72 88 01 43 E-mail : haulottefrance@haulotte.com www.haulotte.fr</p>		<p>HAULOTTE ITALIA VIA LOMBARDA 15 20098 SAN GIULIANO MILANESE (MI) TEL: +39 02 98 97 01 FAX: +39 02 9897 01 25 E-mail : haulotteitalia@haulotte.com www.haulotte.it</p>		<p>HAULOTTE INDIA Unit No. 1205, 12th floor, Bhumiraj Costarica, Plot No. 1&2, Sector 18, Palm Beach Road, Sanpada, Navi Mumbai- 400 705 Maharashtra, INDIA Tel. : +91 22 66739531 to 35 E-mail : hlindia@haulotte.com www.haulotte.in</p>
	<p>HAULOTTE HUBARBEITSBÜHNEN GmbH Ehrenkirchener Strasse 2 D-79427 ESCHBACH TEL : +49 (0) 7634 50 67 - 0 FAX : +49 (0) 7634 50 67 - 119 E-mail : adv-gmbh@haulotte.com www.haulotte.de</p>		<p>HAULOTTE VOSTOK 61A, bld.1, RYABINOVAYA STREET 121471 MOSCOW RUSSIA TEL/FAX : +7 495 221 53 02 / 03 E-mail : salesrus@haulotte.com www.haulottevostok.ru</p>		<p>HAULOTTE DO BRASIL Av. Alameda Caiapós, 589 CEP: 06460-110 – TAMBORÉ BARUERI – SAO PAULO – BRASIL TEL : +55 11 4196 4300 FAX : +55 11 4196 4316 E-mail : haulottebrasil@haulotte.com www.haulotte.com.br</p>
	<p>HAULOTTE IBERICA C/ARGENTINA Nº 13 - P.I. LA GARENA 28806 ALCALA DE HENARES MADRID TEL : +34 902 886 455 TEL SAT : +34 902 886 444 FAX : +34 911 341 844 E-mail : iberica@haulotte.com www.haulotte.es</p>		<p>HAULOTTE POLSKA Sp. Z.o.o. UL. GRANICZNA 22 05-090 RASZYN - JANKI TEL : +48 22 720 08 80 FAX : +48 22 720 35 06 E-mail : E-mail : haulottepolska@haulotte.com www.haulotte.pl</p>		<p>HAULOTTE MÉXICO, S.A. de C.V. Calle 40 SUR ESQUINA 13 ESTE No. S/N Colonia CIVAC, JIUTEPEC, MORELOS CP 62578 México TEL : +52 77 7321 7923 FAX : +52 77 7516 8234 E-mail : haulotte.mexico@haulotte.com www.haulotte.com.mx</p>
	<p>HAULOTTE in JAPAN SBJ ShinOsaka BLDG 3F 4-6-5 Nishinakajima Yodogawa-ku, Osaka, JAPAN, Post Code: 532-0011 TEL : +81 6 6795 9008 FAX : +81 6 6795 9009 www.haulotte.com</p>		<p>HAULOTTE SINGAPORE Pte Ltd. No.26 CHANGI NORTH WAY, SINGAPORE 498812 Parts and service Hotline: +65 6546 6150 FAX : +65 6536 3969 E-mail : haulotteasia@haulotte.com www.haulotte.sg</p>		<p>HAULOTTE MIDDLE EAST FZE PO BOX 293881 Dubai Airport Free Zone DUBAI United Arab Emirates TEL : +971 (0)4 299 77 35 FAX : +971 (0) 4 299 60 28 E-mail : haulottemiddle-east@haulotte.com www.haulotte.ae</p>
	<p>HAULOTTE SCANDINAVIA AB Täljegårdsgatan 12 431 53 Mölndal SWEDEN TEL : +46 31 744 32 90 FAX : +46 31 744 32 99 E-mail : info@se.haulotte.com sparers@se.haulotte.com www.haulotte.se</p>		<p>HAULOTTE TRADING (SHANGHAI) Co. Ltd. #7 WORKSHOP No 191 HUA JIN ROAD MIN HANG DISTRICT SHANGHAI 201108 CHINA TEL : +86 21 6442 6610 FAX : +86 21 6442 6619 E-mail : haulotteshanghai@haulotte.com www.haulotte.cn</p>		<p>HAULOTTE ARGENTINA Ruta Panamericana Km. 34,300 (Ramal A Escobar) 1615 Gran Bourg (Provincia de Buenos Aires) Argentina TEL : +54 33 27 445991 FAX : +54 33 27 452191 E-mail : haulotteargentina@haulotte.com www.haulotte.com.ar</p>
	<p>HAULOTTE UK Ltd 1 Gravely Way Four Ashes Wolverhampton WV10 7GW ENGLAND TEL : +44 (0)1216 199753 FAX : + 44 (0)1952 292758 E-mail : salesuk@haulotte.com www.haulotte.co.uk</p>		<p>HAULOTTE GROUP / BILJAX 125 TAYLOR PARKWAY ARCHBOLD, OH 43502 – USA TEL : +1 419 445 8915 FAX : +1 419 445 0367 Toll free : +1 800 537 0540 E-mail : sales@us.haulotte.com www.haulotte-usa.com</p>		<p>HAULOTTE NORTH AMERICA 3409 Chandler Creek Rd. VIRGINIA BEACH, VA 23453 – USA TEL : +1 757 689 2146 FAX : +1 757 689 2175 Toll free : +1 800 537 0540 E-mail : sales@us.haulotte.com www.haulotte-usa.com</p>
	<p>HAULOTTE NETHERLANDS BV Koopvaardijweg 26 4906 CV OOSTERHOUT - Nederland TEL : +31 (0) 162 670 707 FAX : +31 (0) 162 670 710 E-mail info@haulotte.nl www.haulotte.nl</p>		<p>HAULOTTE AUSTRALIA PTY Ltd 51 Port Link Drive DANDENONG – VIC – 3175 TEL : 1 300 207 683 FAX : +61 (0)3 9792 1011 E-mail : sales@haulotte.com.au www.haulotte.com.au</p>		<p>HAULOTTE CHILE Panamerica Norte Altura Km 21,5 Colina (Cruce c/Lo Pinto) Santiago (RM) TEL : + 562 2 3727630 E-mail : haulotte-chile@haulotte.com www.haulotte-chile.com</p>

G- Other information

2.1 - CALIFORNIA WARNING

**F o r t h e U S d e s t i n e d m a c h i n e s (A N S I a n d C S A
s t a n d a r d s)**

<p>CALIFORNIA</p> <p> Proposition 65 Warning</p> <p>Operating, servicing and maintaining a passenger vehicle or off-road vehicle can expose you to chemicals including engine exhaust, carbon monoxide, phthalates, and lead, which are known to the State of California to cause cancer and birth defects or other reproductive harm. To minimize exposure, avoid breathing exhaust, do not idle the engine except as necessary, service your vehicle in a well-ventilated area and wear gloves or wash your hands frequently when servicing your vehicle.</p> <p>For more information go to  www.P65Warnings.ca.gov/passenger-vehicle</p>
<p>CALIFORNIE</p> <p> Avertissement de la Proposition 65</p> <p>L'exploitation, l'entretien et la maintenance d'un véhicule de tourisme ou d'un véhicule tout-terrain peuvent vous exposer à des produits chimiques, y compris les gaz d'échappement, le monoxyde de carbone, les phthalates et le plomb, identifiés par l'État de Californie comme pouvant causer le cancer et des malformations congénitales ou autres effets nocifs sur la reproduction. Pour limiter toute exposition: évitez de respirer les gaz d'échappement, ne laissez pas tourner le moteur au ralenti sauf si nécessaire, faites l'entretien du véhicule dans une zone bien aérée et portez des gants ou lavez vous fréquemment les mains lors de cette opération.</p> <p>Pour de plus amples informations, consulter  www.P65Warnings.ca.gov/passenger-vehicle</p>
<p>CALIFORNIA</p> <p> Advertencia de la Proposición 65</p> <p>Operar, dar servicio y mantenimiento a un vehículo de pasajeros o vehículo todo terreno puede exponerle a químicos incluyendo gases del escape, monóxido de carbono, ftalatos y plomo, los cuales son conocidos por el Estado de California como causantes de cáncer y defectos de nacimiento u otros daños reproductivos. Para minimizar la exposición, evite respirar los gases del escape, no encienda el motor excepto si es necesario, dé servicio a su vehículo en un área bien ventilada y utilice guantes o lave sus manos frecuentemente cuando dé servicio a su vehículo.</p> <p>Para mayor información visite  www.P65Warnings.ca.gov/passenger-vehicle</p>

G- Other information

For electric (battery operated) machines

CALIFORNIA



Proposition 65 Warning

Battery posts, terminals and related accessories contain lead and lead compounds, chemicals known to the State of California to cause cancer and reproductive harm. Batteries also contain other chemicals known to the State of California to cause cancer.
WASH HANDS AFTER HANDLING.

For more information go to  www.P65Warnings.ca.gov

CALIFORNIE



Avertissement de la Proposition 65

Les batteries, les bornes et autres accessoires contiennent du plomb et des composés à base de plomb, agents chimiques identifiés par l'État de Californie comme pouvant provoquer le cancer et des effets nocifs sur la reproduction. Les batteries contiennent également d'autres agents chimiques identifiés par l'Etat de Californie comme pouvant provoquer le cancer.
SE LAVER LES MAINS APRES MANIPULATION.

Pour de plus amples informations, consulter  www.P65Warnings.ca.gov

CALIFORNIA



Advertencia de la Proposición 65

Los bornes, los terminales y los accesorios de las baterías contienen plomo y compuestos de plomo, químicos conocidos por el Estado de California como causantes de cáncer y daños reproductivos. Las baterías también contienen otros químicos conocidos por el Estado de California como causantes de cáncer.

LAVESE LAS MANOS DESPUES DE MANIPULARLOS.

Para mayor información visite  www.P65Warnings.ca.gov

H- Intervention register

1 - Intervention register

The intervention register keeps a record of maintenance and repair work carried out inside or outside the maintenance programme.

N.B.:-IN THE CASE OF A HAULOTTE SERVICES® INTERVENTION, THE QUALIFIED TECHNICIAN MUST INDICATE THE HAULOTTE SERVICES® INTERVENTION NUMBER.

Date	Type of intervention	Number of hours	Intervenor	HAULOTTE Services® intervention number

H- Intervention register

Date	Type of intervention	Number of hours	Intervenor	HAULOTTE Services® intervention number